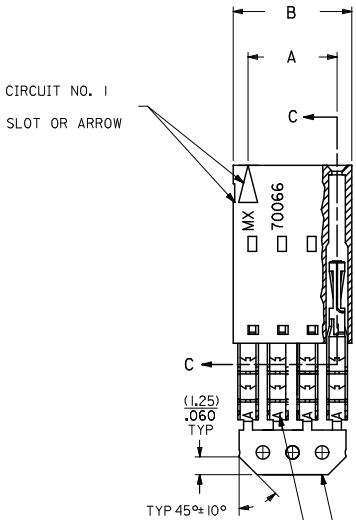


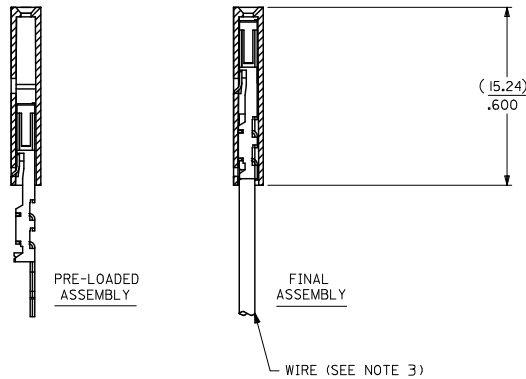
OPTION A

NOTES:

- MATERIAL:
HOUSING: POLYESTER(PBT), GLASS FILLED, UL94 V-0,
COLOR: BLACK
TERMINAL: PHOSPHOR BRONZE
- FINISH:
TIN: 3.81 MICROMETERS/150 MICROINCHES MINIMUM TIN
OVER NICKEL UNDERPLATE OVERALL
- TO BE USED WITH 24 AWG STRANDED WIRE WITH (1.35)/.053
DIAMETER MAXIMUM INSULATION
- SEE TABLE FOR AVAILABLE CIRCUIT SIZES
- STANDARD PACKAGING PER PK-70873-0001, OPTIONAL PACKAGING
MAY BE AVAILABLE, REQUEST DRAWING PK-70400
- PARTS STACKABLE END TO END ON (2.54)/.100 CENTERS
- PRODUCT SPECIFICATION: PS-70400
- SEE DRAWING SDA-70400-**** (SHEET 3) FOR OPTIONAL
HOUSING DETAILS
- 4 CIRCUIT SHOWN
- TO MATE WITH MOLEX 2.54/.100 CENTERLINE HEADERS
- 2 CIRCUIT ASSEMBLIES SUPPLIED AS GROUPED PAIRS



SECTION C-C



CKT. SIZE	A	B	EDP. NO.
2	(2.54) .100	(5.05) .199	14-60-0021
3	(5.08) .200	(7.59) .299	14-60-0031
4	(7.62) .300	(10.13) .399	14-60-0041
5	(10.16) .400	(12.67) .499	14-60-0051
6	(12.70) .500	(15.21) .599	14-60-0061
7	(15.24) .600	(17.75) .699	14-60-0071
8	(17.78) .700	(20.29) .799	14-60-0081
9	(20.32) .800	(22.83) .899	14-60-0091
10	(22.86) .900	(25.37) .999	14-60-0101
11	(25.40) 1.000	(27.91) 1.099	14-60-0111
12	(27.94) 1.100	(30.45) 1.199	14-60-0121
13	(30.48) 1.200	(32.99) 1.299	14-60-0131
14	(33.02) 1.300	(35.53) 1.399	14-60-0141
15	(35.56) 1.400	(38.07) 1.499	14-60-0151
16	(38.10) 1.500	(40.61) 1.599	14-60-0161
17	(40.64) 1.600	(43.15) 1.699	14-60-0171
18	(43.18) 1.700	(45.69) 1.799	14-60-0181
19	(45.72) 1.800	(48.23) 1.899	14-60-0191
20	(48.26) 1.900	(50.77) 1.999	14-60-0201
21	(50.80) 2.000	(53.31) 2.099	14-60-0211
22	(53.34) 2.100	(55.85) 2.199	14-60-0221
23	(55.88) 2.200	(58.39) 2.299	14-60-0231
24	(58.42) 2.300	(60.93) 2.399	14-60-0241
25	(60.96) 2.400	(63.47) 2.499	14-60-0251

I.D. SLOT CODE TO WIRE GAUGE CHART	
I.D. SLOT CODE	WIRE GAUGE
A	24 AWG.

PLATING CODE (STRIPE ON CARRIER STRIP)	
PLATING	COLOR
TIN	NONE

REMOVE ENG. NO. E.C. NO. UEP2011-110	DATE 2010/10/19	DRAWN BY MSIBARRA	DATE 2010/10/19	TITLE ASSEMBLY, SL CONNECTOR SINGLE ROW 2.54/.100 GRID	SCALE INCH	DESIGN UNITS INCH	THIRD ANGLE PROJECTION	MATERIAL NO. SDA-70400-0001-0024	DOCUMENT NO.	SHEET NO. 1 OF 1
DESCRIPTION REV	QUALITY SYMBOLS	GENERAL TOLERANCES (UNLESS SPECIFIED)		DRAFT WHERE APPLICABLE MUST REMAIN WITHIN DIMENSIONS		SEE TABLE		THIS DRAWING CONTAINS INFORMATION THAT IS PROPRIETARY TO MOLEX INCORPORATED AND SHOULD NOT BE USED WITHOUT WRITTEN PERMISSION		
	▽=0	4 PLACES ±---	±---	mm	INCH	DRAWN BY MSIBARRA		DATE 2010/10/19		
	▽=0	3 PLACES ±---	±.010			CHECKED BY WAZ		DATE 1984/10/09		
	▽=0	2 PLACES ±0.25	±.014			APPROVED BY SMILLER		DATE 2010/11/24		
	▽=0	1 PLACE ±0.35	±---			ANGULAR ±1/2°				