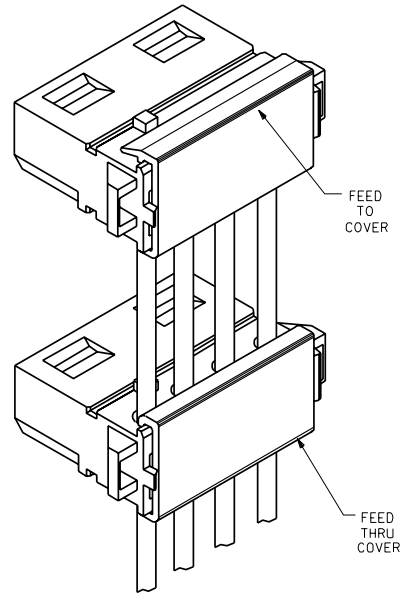


SECTION A-A



.0805±.0010 DIA.
(2.045±0.025)
(TERMINAL BARREL)

NOTES:

1. ALL WIRES TO HAVE A MAX. DIAMETER OVER INSULATION OF .095/(2.41).
2. COVERS ARE SUGGESTED TO RETAIN WIRES. FEED TO DRAWING NO. SD-70156-4000. FEED THRU DRAWING NO. SD-70156-3000. SEE SHEET 2 FOR AVAILABLE KITS.
3. MATERIAL: HOUSING-NYLON, TYPE 6/6, 94V-2, COLOR: NATURAL
HOUSING-POLYESTER, 94V-0
COLOR: WHITE
TERMINAL-PHOSPHOR BRONZE
4. .008/(0.20) MAX. VERTICAL PROJECTION DUE TO CARRIER CUT-OFF.
5. PS-70156-***** APPLIES.
6. SDES-70156 APPLIES.
7. PK-70873-0250 APPLIES.

REV.	REVISIONS
E	TRANSFER TO INDIA ECN U01 999-0929 SCHAFFER 99/04/20
D2	ADDED PART NO. PER ECN U6-0935 02/08/96 DRS
D1	ADDED PART NO. PER ECN U5-0148 09/01/94 DRS
D	MODIFIED PER ECN U2-1589 10-28-92 DRS
C1	ADDED NOTE #7 PER ECN U2-1007 07-06-92 DRS
C	MOD. WIRE SELECTION PER ECN U2-0873 06-08-92 DRS
B	MOD. WIRE SELECTION PER ECN U2-0716 05-07-92 DRS
A	X-RELEASE PER ECN U2-0581 04-15-92 DRS

DIMENSIONS SHOWN IN METRIC INCH		REVISIONS	
UNLESS OTHERWISE SPECIFIED TOLERANCES ANGULAR ± 1/2°		MFG. SH. REV. LTR.	
TITLE: SALES ASSEMBLY 4 CKT. POWER CONNECTOR		SHEET NO. 1 OF 2 DATE 06/30/89	
PART NO. SEE CHART		DRAWING NO. SDA-70156-*****	
DRAWN BY: SCHMIDGALLER		FILE NAME: STD15601	
APP'D BY: BIXLER		SCALE: 4 : 1	

						BLACK COVER			WHITE COVER	
PART NUMBER	ENG. NUMBER	PLATING CODE	COLOR STRIPE	RECOMMENDED WIRE TYPE	KIT PART NO.	KIT ENG. NO.	COVER TYPE	KIT PART NO.	KIT ENG. NO.	
15-24-3000	A-70156-2003	101	YELLOW	16 AWG STRANDED, UL STYLE #1007 ONLY	15-24-3001	MS-70156-2303	FEED THRU	15-24-2035	MS-70156-2503	
15-24-2000	A-70156-2000	101	RED	18 AWG STRANDED 20 AWG SOLID & FUSED STRANDED	15-24-3002	MS-70156-2403	FEED TO	15-24-2036	MS-70156-2603	
15-24-2001	A-70156-2001	101	BLUE	20 AWG STRANDED	15-24-2003	MS-70156-2300	FEED THRU	15-24-2037	MS-70156-2500	
15-24-2002	A-70156-2002	101	BLACK	22 AWG SOLID, FUSED STRANDED AND STRANDED	15-24-2004	MS-70156-2400	FEED TO	15-24-2038	MS-70156-2600	
15-24-3053	A-70156-5003	101	YELLOW	16 AWG STRANDED, UL STYLE #1007 ONLY	15-24-2005	MS-70156-2301	FEED THRU	15-24-2039	MS-70156-2501	
15-24-3050	A-70156-5000	101	RED	18 AWG STRANDED 20 AWG SOLID & FUSED STRANDED	15-24-2006	MS-70156-2401	FEED TO	15-24-2044	MS-70156-2601	
15-24-3051	A-70156-5001	101	BLUE	20 AWG STRANDED	15-24-2007	MS-70156-2302	FEED THRU	15-24-2045	MS-70156-2502	
15-24-3052	A-70156-5002	101	BLACK	22 AWG SOLID, FUSED STRANDED AND STRANDED	15-24-2008	MS-70156-2402	FEED TO	15-24-2046	MS-70156-2602	
NOT TOOLED	AX-70156-9003	554	YELLOW	16 AWG STRANDED, UL STYLE #1007 ONLY	15-24-3030	MS-70156-5303	FEED THRU	15-24-3009	MS-70156-5503	
15-24-2021	A-70156-9000	554	RED	18 AWG STRANDED	15-24-3031	MS-70156-5403	FEED TO	15-24-3013	MS-70156-5603	
NOT TOOLED	AX-70156-9001	554	BLUE	20 AWG SOLID, FUSED STRANDED AND STRANDED	15-24-3032	MS-70156-5300	FEED THRU	15-24-3014	MS-70156-5500	
NOT TOOLED	AX-70156-9002	554	BLACK	22 AWG SOLID, FUSED STRANDED AND STRANDED	15-24-3033	MS-70156-5400	FEED TO	15-24-3015	MS-70156-5600	
					15-24-3034	MS-70156-5301	FEED THRU	15-24-3016	MS-70156-5501	
					15-24-3035	MS-70156-5401	FEED TO	15-24-3017	MS-70156-5601	
					15-24-3036	MS-70156-5302	FEED THRU	15-24-3018	MS-70156-5502	
					15-24-3037	MS-70156-5402	FEED TO	15-24-3019	MS-70156-5602	
					NOT TOOLED	MSX-70156-9303	FEED THRU	NOT TOOLED	MSX-70156-9503	
					NOT TOOLED	MSX-70156-9403	FEED TO	NOT TOOLED	MSX-70156-9603	
					NOT TOOLED	MS-70156-9300	FEED THRU	NOT TOOLED	MS-70156-9500	
					NOT TOOLED	MS-70156-9400	FEED TO	NOT TOOLED	MS-70156-9600	
					NOT TOOLED	MSX-70156-9301	FEED THRU	NOT TOOLED	MSX-70156-9501	
					NOT TOOLED	MSX-70156-9401	FEED TO	NOT TOOLED	MSX-70156-9601	
					NOT TOOLED	MSX-70156-9303	FEED THRU	NOT TOOLED	MSX-70156-9503	
					NOT TOOLED	MSX-70156-9403	FEED TO	NOT TOOLED	MSX-70156-9603	
15-24-3003	A-70156-3000	101	NONE	18 AWG STRANDED 20 AWG SOLID & FUSED STRANDED	15-24-3004	MS-70156-3300	FEED THRU	15-24-3006	MS-70156-3500	
					15-24-3005	MS-70156-3400	FEED TO	15-24-3007	MS-70156-3600	

PLATING CODES:
 101 - .000100/(.00254) MIN. TIN OVER
 .000050/(.00127) MIN. COPPER
 554 - .000015/(.00038) MIN. GOLD IN
 CONTACT AREA OVER .000050/(.00127)
 MIN. NICKEL OVERALL

E	SEE SHEET #1	UNLESS OTHERWISE SPECIFIED TOLERANCES ARE AS FOLLOWS:	SCALE	REVISE ONLY ON CAD SYSTEM
D2	SEE SHEET #1	FRACTIONAL DECIMALS	1:1	
D1	SEE SHEET #1	INCHES	1:1	
C1	SEE SHEET #1	MILLIMETERS	1:1	
C	SEE SHEET #1	ALL DIMENSIONS	1:1	
B	SEE SHEET #1	ALL DIMENSIONS	1:1	
A	SEE SHEET #1	ALL DIMENSIONS	1:1	

SALES ASSEMBLY
 4 CKT. POWER CONNECTOR

MOLEX INCORPORATED
 DATE: 04/13/92
 SHEET NO: 2

SEE CHART SDA-70156-0000

FILE NAME: SDA-70156-0000
 SCALE: N/A

70156

A