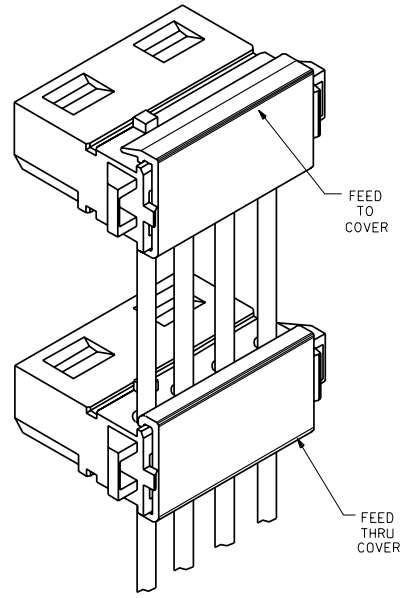


SECTION A-A



- NOTES:
1. ALL WIRES TO HAVE A MAX. DIAMETER OVER INSULATION OF .095/(2.41).
 2. COVERS ARE SUGGESTED TO RETAIN WIRES. FEED TO DRAWING NO. SD-70156-4000. FEED THRU DRAWING NO. SD-70156-3000. SEE SHEET 2 FOR AVAILABLE KITS.
 3. MATERIAL: HOUSING-NYLON, TYPE 6/6, 94V-2, COLOR: NATURAL
HOUSING-POLYESTER, 94V-0 COLOR: WHITE
TERMINAL-PHOSPHOR BRONZE
 4. .008/(0.20) MAX. VERTICAL PROJECTION DUE TO CARRIER CUT-OFF.
 5. PS-70156-***** APPLIES.
 6. SDES-70156 APPLIES.
 7. PK-70873-0250 APPLIES.

| REV. | REVISIONS |
|------|--|
| E | TRANSFER TO INDIA ECN U01 999-0929 SCHAFFER 99/04/20 |
| D2 | ADDED PART NO. PER ECN U6-0935 02/08/96 DRS |
| D1 | ADDED PART NO. PER ECN U5-0448 09/01/94 DRS |
| D | MODIFIED PER ECN U2-1589 10-28-92 DRS |
| C1 | ADDED NOTE #7 PER ECN U2-1007 07-06-92 DRS |
| C | MOD. WIRE SELECTION PER ECN U2-0873 06-08-92 DRS |
| B | MOD. WIRE SELECTION PER ECN U2-0716 05-07-92 DRS |
| A | X-RELEASE PER ECN U2-0581 04-15-92 DRS |

| | | | |
|--|--|--------------------------------|--|
| DIMENSIONS SHOWN: INCH (METRIC) | | REVISIONS | |
| UNLESS OTHERWISE SPECIFIED TOLERANCES ANGULAR ± 1/2° | | MFG. SH. REV. LTR. REVISIONS | |
| TITLE: SALES ASSEMBLY 4 CKT. POWER CONNECTOR | | SHEET NO. 1 OF 2 DATE 06/30/89 | |
| PART NO. SEE CHART | | DRAWING NO. SDA-70156-***** | |
| DRAWN BY: SCHMIDGALLER | | FILE NAME: STD15601 | |
| APP'D BY: BIXLER | | SCALE: 4 : 1 | |

MOLEX INCORPORATED
 1335 E. 17th St., Lincoln, NE 68502
 U.S.A.

THIS DRAWING CONTAINS INFORMATION THAT IS PROPRIETARY TO MOLEX INC. AND SHOULD NOT BE USED WITHOUT WRITTEN PERMISSION.

