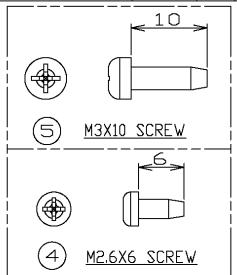
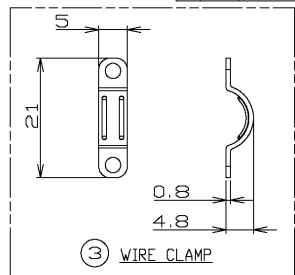
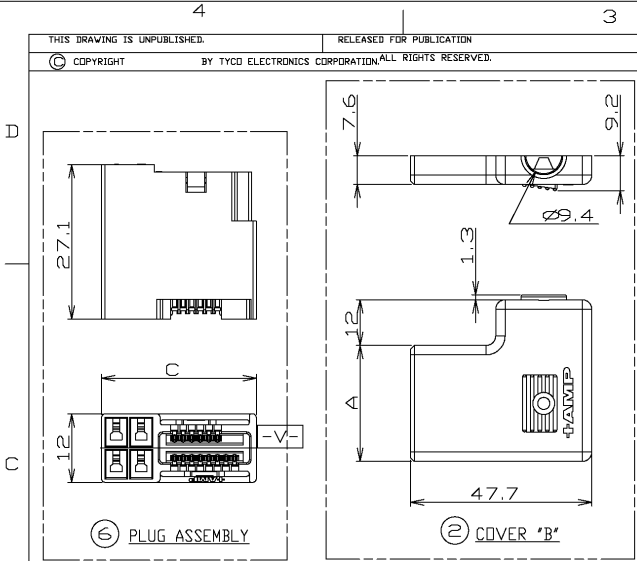
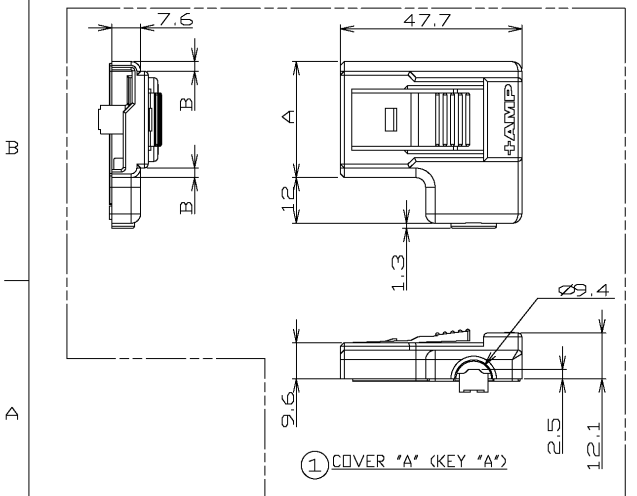


THIS DRAWING IS UNPUBLISHED. RELEASED FOR PUBLICATION
 © COPYRIGHT BY TYCO ELECTRONICS CORPORATION. ALL RIGHTS RESERVED.

LOC	DIST	REVISIONS			
P	LTR	DESCRIPTION	DATE	DWN	APVD
ES	00	REVISED FB00-0217-04	16DEC04	HH	IE



NOTES: THIS IS LEAD-FREE P/N.

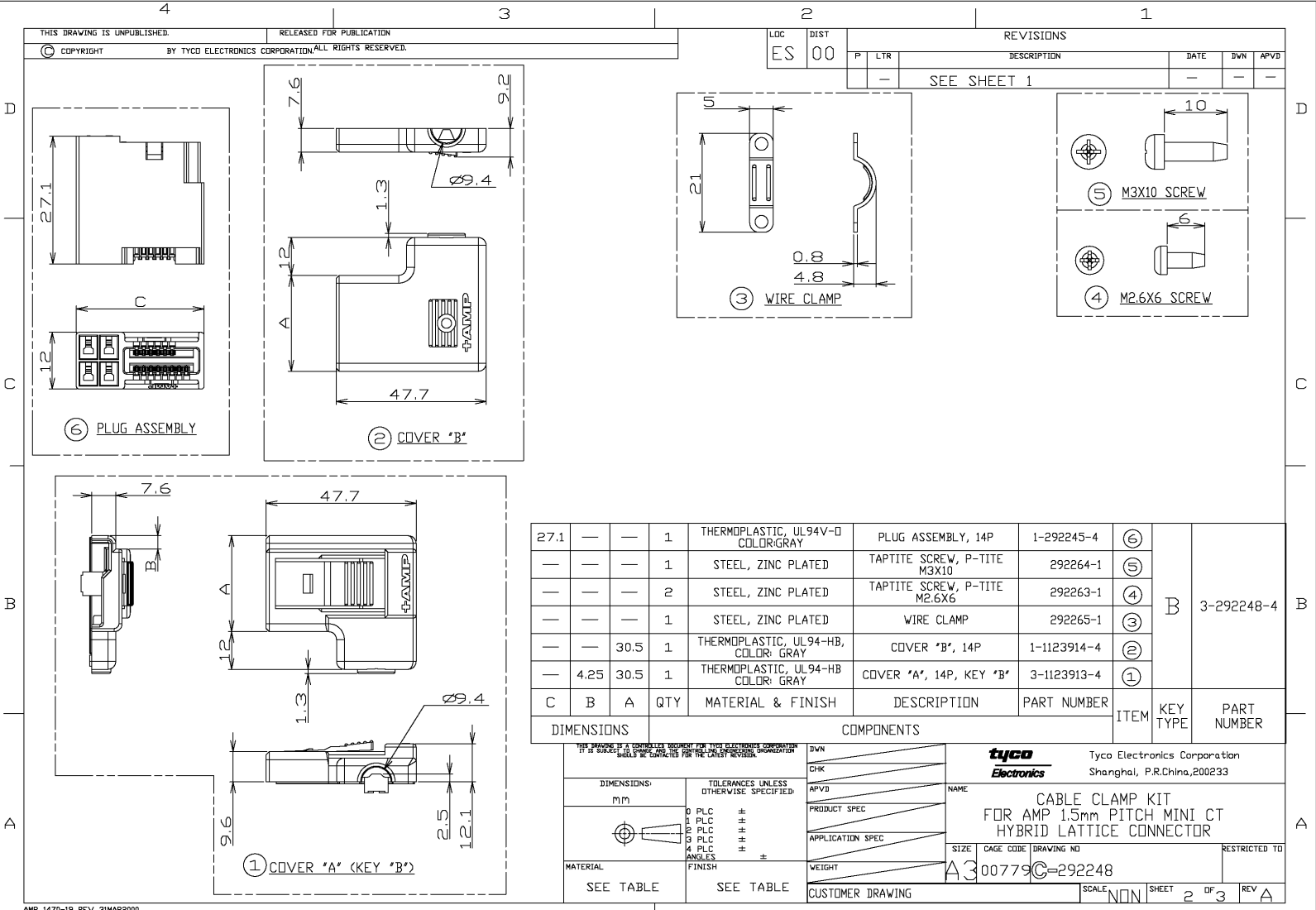


27.1	—	—	1	THERMOPLASTIC, UL94V-0 COLOR: GRAY	PLUG ASSEMBLY, 14P	1-292245-4	(6)	A	1-292248-4
—	—	—	1	STEEL, ZINC PLATED	TAPTITE SCREW, P-TITE M3X10	292264-1	(5)		
—	—	—	2	STEEL, ZINC PLATED	TAPTITE SCREW, P-TITE M2.6X6	292263-1	(4)		
—	—	—	1	STEEL, ZINC PLATED	WIRE CLAMP	292265-1	(3)		
—	—	30.5	1	THERMOPLASTIC, UL94-HB, COLOR: GRAY	COVER 'B', 14P	1-1123914-4	(2)		
—	2.55	30.5	1	THERMOPLASTIC, UL94-HB COLOR: GRAY	COVER 'A', 14P, KEY 'A'	1-1123913-4	(1)		
C	B	A	QTY	MATERIAL & FINISH	DESCRIPTION	PART NUMBER	ITEM	KEY TYPE	PART NUMBER

DIMENSIONS		COMPONENTS		TYCO ELECTRONICS CORPORATION	
DIMENSIONS:	TOLERANCES UNLESS OTHERWISE SPECIFIED:	DIVN	05FEB03	Tyco Electronics Corporation	
mm	0 PLC #	CHK	05FEB03	Shanghai, P.R.China, 200233	
	1 PLC #	APVD	05FEB03	NAME	
	2 PLC #	PRODUCT SPEC	108-60028	CABLE CLAMP KIT	
	3 PLC #	APPLICATION SPEC	114-5256	FOR AMP 1.5mm PITCH MINI CT	
	4 PLC #	WEIGHT		HYBRID LATTICE CONNECTOR	
MATERIAL	FINISH	CUSTOMER DRAWING		SIZE	CAGE CODE
SEE TABLE	SEE TABLE			A3	00779
				DRAWING NO	RESTRICTED TO
				C=292248	—
				SCALE	SHEET
				NON	1 OF 3
					REV
					A

THIS DRAWING IS UNPUBLISHED. RELEASED FOR PUBLICATION
 COPYRIGHT BY TYCO ELECTRONICS CORPORATION. ALL RIGHTS RESERVED.

LOC	DIST	REVISIONS			
P	LTR	DESCRIPTION	DATE	DWN	APVD
ES	00	SEE SHEET 1	-	-	-



QTY	MATERIAL & FINISH	DESCRIPTION	PART NUMBER	ITEM	KEY TYPE	PART NUMBER
1	THERMOPLASTIC, UL94V-0 COLOR:GRAY	PLUG ASSEMBLY, 14P	1-292245-4	⑥	B	3-292248-4
1	STEEL, ZINC PLATED	TAPTITE SCREW, P-TITE M3X10	292264-1	⑤		
2	STEEL, ZINC PLATED	TAPTITE SCREW, P-TITE M2.6X6	292263-1	④		
1	STEEL, ZINC PLATED	WIRE CLAMP	292265-1	③		
1	THERMOPLASTIC, UL94-HB, COLOR: GRAY	COVER 'B', 14P	1-1123914-4	②		
1	THERMOPLASTIC, UL94-HB COLOR: GRAY	COVER 'A', 14P, KEY 'B'	3-1123913-4	①		

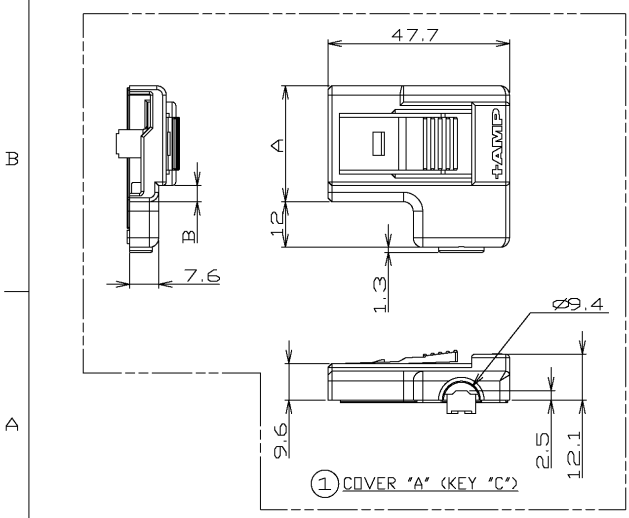
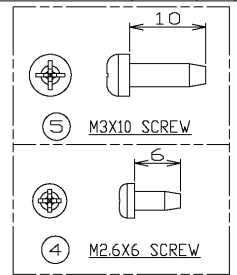
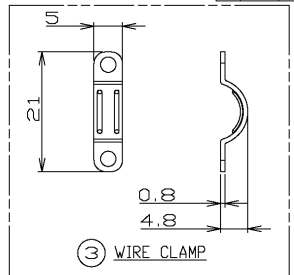
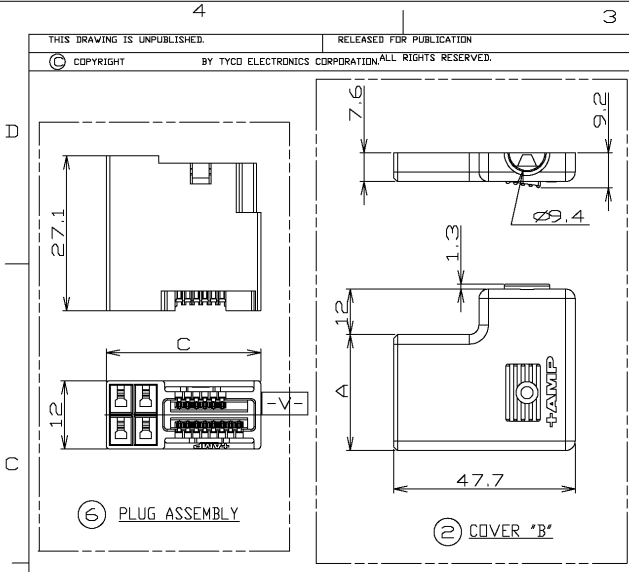
DIMENSIONS		COMPONENTS		ITEM	KEY TYPE	PART NUMBER			
27.1	—	1	THERMOPLASTIC, UL94V-0 COLOR:GRAY	PLUG ASSEMBLY, 14P	1-292245-4	⑥			
—	—	1	STEEL, ZINC PLATED	TAPTITE SCREW, P-TITE M3X10	292264-1	⑤			
—	—	2	STEEL, ZINC PLATED	TAPTITE SCREW, P-TITE M2.6X6	292263-1	④			
—	—	1	STEEL, ZINC PLATED	WIRE CLAMP	292265-1	③			
—	—	30.5	1	THERMOPLASTIC, UL94-HB, COLOR: GRAY	COVER 'B', 14P	1-1123914-4			
—	4.25	30.5	1	THERMOPLASTIC, UL94-HB COLOR: GRAY	COVER 'A', 14P, KEY 'B'	3-1123913-4			
C	B	A	QTY	MATERIAL & FINISH	DESCRIPTION	PART NUMBER	ITEM	KEY TYPE	PART NUMBER

DIMENSIONS: MM 		TOLERANCES UNLESS OTHERWISE SPECIFIED: 0 PLC # 1 PLC # 2 PLC # 3 PLC # 4 PLC # ANGLES #		DIVN CHK APVD PRODUCT SPEC APPLICATION SPEC WEIGHT		tyco Tyco Electronics Corporation Electronics Shanghai, P.R.China,200233 NAME CABLE CLAMP KIT FOR AMP 1.5mm PITCH MINI CT HYBRID LATTICE CONNECTOR SIZE CAGE CODE DRAWING NO RESTRICTED TO A3 00779 C=292248			
SEE TABLE		SEE TABLE		CUSTOMER DRAWING		SCALE: NON SHEET 2 OF 3 REV A			

AMP 1470-19 REV 31MAR2000

THIS DRAWING IS UNPUBLISHED. RELEASED FOR PUBLICATION
 © COPYRIGHT BY TYCO ELECTRONICS CORPORATION ALL RIGHTS RESERVED.

LOC	DIST	P	LTR	REVISIONS	DATE	DWN	APVD
ES	00	-	-	DESCRIPTION	-	-	-
				SEE SHEET 1			



QTY	MATERIAL & FINISH	DESCRIPTION	PART NUMBER	ITEM	KEY TYPE	PART NUMBER	
27.1	1	THERMOPLASTIC, UL94V-0 COLOR:GRAY	PLUG ASSEMBLY, 14P	1-292245-4	⑥	C 5-292248-4	
—	1	STEEL, ZINC PLATED	TAPTITE SCREW, P-TITE M3X10	292264-1	⑤		
—	2	STEEL, ZINC PLATED	TAPTITE SCREW, P-TITE M2.6X6	292263-1	④		
—	1	STEEL, ZINC PLATED	WIRE CLAMP	292265-1	③		
—	30.5	1	THERMOPLASTIC, UL94-HB, COLOR: GRAY	COVER 'B', 14P	1-1123914-4		②
—	4.25	30.5	1	THERMOPLASTIC, UL94-HB COLOR: GRAY	COVER 'A', 14P, KEY 'C'		5-1123913-4

DIMENSIONS		TOLERANCES UNLESS OTHERWISE SPECIFIED		COMMENTS		CUSTOMER DRAWING	
MM	0 PLC	#		DIVN	CHK	NAME	RESTRICTED TO
	1 PLC	#		APVD	PRODUCT SPEC		
	2 PLC	#		APPLICATION SPEC	WEIGHT		
	3 PLC	#					
	4 PLC	#					
	ANGLES	#					
MATERIAL	FINISH						
SEE TABLE	SEE TABLE						

tyco Tyco Electronics Corporation
 Electronics Shanghai, P.R.China,200233

CABLE CLAMP KIT FOR AMP 1.5mm PITCH MINI CT HYBRID LATTICE CONNECTOR

SIZE: A3 CAGE CODE: 00779 DRAWING NO: C=292248

SCALE: NON SHEET 3 OF 3 REV A