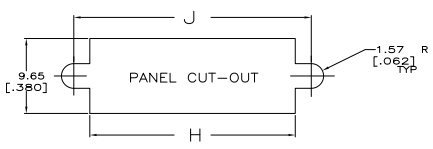
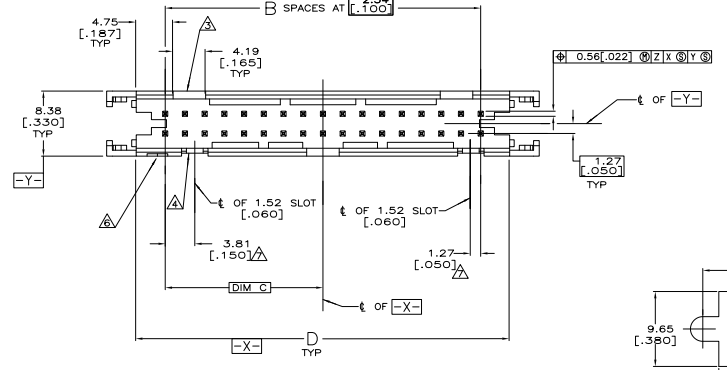
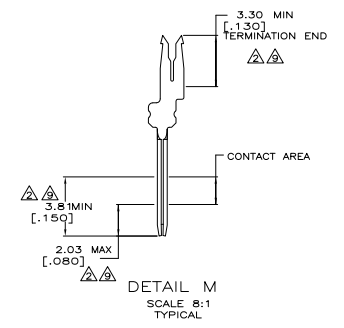
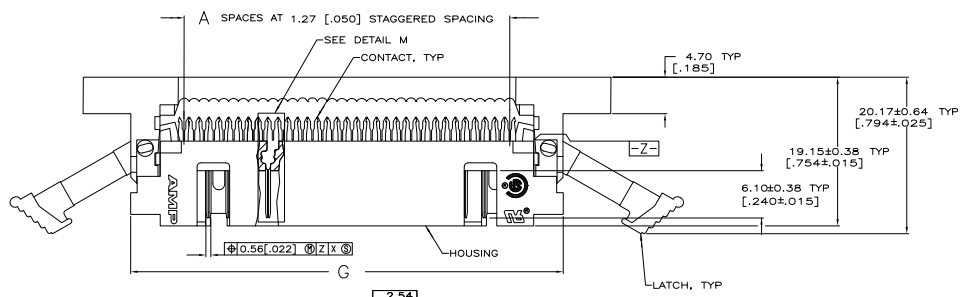
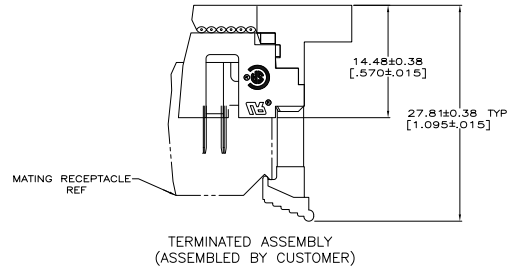
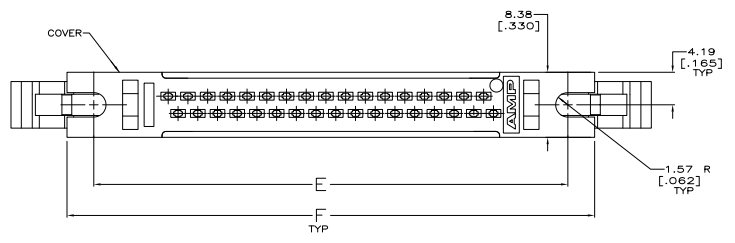


THIS DRAWING IS UNPUBLISHED
 RELEASED FOR INFORMATION
 ALL RIGHTS RESERVED

REV	DATE	DESCRIPTION	BY	CHK	APP
00					
01					
04		REVISED PER EDD-11-004835			



THIS DRAWING IS A CONTROLLED DOCUMENT.		REFERENCE	SWAN	TE Connectivity	
UNLESS OTHERWISE SPECIFIED:	UNLESS OTHERWISE SPECIFIED:	UNLESS OTHERWISE SPECIFIED:	UNLESS OTHERWISE SPECIFIED:	UNLESS OTHERWISE SPECIFIED:	UNLESS OTHERWISE SPECIFIED:
DIMENSIONS IN INCHES	UNLESS OTHERWISE SPECIFIED:	UNLESS OTHERWISE SPECIFIED:	UNLESS OTHERWISE SPECIFIED:	UNLESS OTHERWISE SPECIFIED:	UNLESS OTHERWISE SPECIFIED:
FINISH	FINISH	FINISH	FINISH	FINISH	FINISH
SEE SHEET 1	SEE SHEET 1	SEE SHEET 1	SEE SHEET 1	SEE SHEET 1	SEE SHEET 1
CUSTOMER DRAWING		DATE	00779	REV	111506
		DATE	4.1	SHEET	1
				OF	2
				REV	G4

THIS DRAWING IS UNPUBLISHED
 UNLESS NOTED OTHERWISE
 ALL RIGHTS RESERVED

REV	DATE	DESCRIPTION	BY	CHK	APP
00		SEE SHEET 1			

- △ FLAME RETARDANT 94V-0 RATED THERMOPLASTIC; BLACK.
- △ 2.54µm [.000100] MIN BRIGHT TIN-LEAD ON TERMINATION END.
- △ 0.76µm [.000030] MIN GOLD ON CONTACT AREA, ALL OVER
- △ 1.27µm [.000050] MIN NICKEL.
- △ NO SLOT ON THIS END FOR 10 AND 14 POSITION HOUSINGS.
- △ NO SLOT FOR SNAP-IN POLARIZER ON THIS END FOR 10 AND 14 POSITION HOUSINGS.
- 5. FOR MILITARY POLARIZATION, ORDER SNAP-IN POLARIZER 499991-2 (BULK PACK OF 50).
- △ POSITION NO 1 INDICATOR.
- △ COORDINATE DIMENSION APPLIES FROM CENTER OF ACTUAL FEATURE.
- △ PHOSPHOR BRONZE PER QQ-B-750.
- △ 2.54µm [.000100] MIN TIN ON TERMINATION END.
- △ 0.76µm [.000030] MIN GOLD ON CONTACT AREA, ALL OVER
- △ 1.27µm [.000050] MIN NICKEL.
- △ OBSOLETE
- △ OBSOLETE PARTS: OBSOLETE CIS STREAMLINING PER D.RENAUD/D.SINISI

△	94.08	89.97	88.70	100.99	94.08	81.13	36.83	29	59	60	2-111506-6
△	[3.704]	[3.542]	[3.492]	[3.976]	[3.704]	[3.194]	[1.450]				
△	[2.904]	[2.742]	[2.692]	[3.176]	[2.904]	[2.394]	[1.050]	21	43	44	2-111506-5
△	68.68	64.57	63.30	75.59	68.68	55.73	24.13	19	39	40	2-111506-4
△	[2.704]	[2.542]	[2.492]	[2.976]	[2.704]	[2.194]	[.950]				
△	61.06	56.95	55.68	67.97	61.06	48.11	20.32	16	33	34	2-111506-3
△	[2.404]	[2.242]	[2.192]	[2.676]	[2.404]	[1.894]	[.800]				
△	55.98	51.87	50.60	62.89	55.98	43.03	17.78	14	29	30	2-111506-2
△	[2.204]	[2.042]	[1.992]	[2.476]	[2.204]	[1.694]	[.700]				
△	50.90	46.79	45.52	57.81	50.90	37.95	15.24	12	25	26	2-111506-1
△	[2.004]	[1.842]	[1.792]	[2.276]	[2.004]	[1.494]	[.600]				
△	48.36	44.25	42.98	55.27	48.36	35.41	13.97	11	23	24	2-111506-0
△	[1.904]	[1.742]	[1.692]	[2.176]	[1.904]	[1.394]	[.550]				
△	43.28	39.17	37.90	50.19	43.28	30.33	11.43	9	19	20	1-111506-9
△	[1.704]	[1.542]	[1.492]	[1.976]	[1.704]	[1.194]	[.450]				
△	38.20	34.09	32.82	45.11	38.20	25.25	8.89	7	15	16	1-111506-8
△	[1.504]	[1.342]	[1.292]	[1.776]	[1.504]	[.994]	[.350]				
△	35.66	31.55	30.28	42.57	35.66	22.71	7.62	6	13	14	1-111506-7
△	[1.404]	[1.242]	[1.192]	[1.676]	[1.404]	[.894]	[.300]				
△	30.58	26.47	25.20	37.49	30.58	17.63	5.08	4	9	10	1-111506-6
△	[1.204]	[1.042]	[.992]	[1.476]	[1.204]	[.694]	[.200]				
△	99.16	95.05	93.78	106.07	99.16	86.21	39.37	31	63	64	1-111506-5
△	[3.904]	[3.742]	[3.692]	[4.176]	[3.904]	[3.394]	[1.550]				
△	81.38	77.27	68.38	88.29	81.38	68.43	30.48	24	49	50	1-111506-4
△	[3.204]	[3.042]	[2.992]	[3.476]	[3.204]	[2.694]	[1.200]				
△	99.16	95.05	93.78	106.07	99.16	86.21	39.37	31	63	64	1-111506-3
△	[3.904]	[3.742]	[3.692]	[4.176]	[3.904]	[3.394]	[1.550]				
△	81.38	77.27	68.38	88.29	81.38	68.43	30.48	24	49	50	1-111506-2
△	[3.204]	[3.042]	[2.992]	[3.476]	[3.204]	[2.694]	[1.200]				
△	81.38	77.27	68.38	88.29	81.38	68.43	30.48	24	49	50	1-111506-1
△	[3.204]	[3.042]	[2.992]	[3.476]	[3.204]	[2.694]	[1.200]				
△	73.76	69.65	68.38	80.67	73.76	60.81	26.67	21	43	44	1-111506-0
△	[2.904]	[2.742]	[2.692]	[3.176]	[2.904]	[2.394]	[1.050]				
△	68.68	64.57	63.30	75.59	68.68	55.73	24.13	19	39	40	111506-9
△	[2.704]	[2.542]	[2.492]	[2.976]	[2.704]	[2.194]	[.950]				
△	61.06	56.95	55.68	67.97	61.06	48.11	20.32	16	33	34	111506-8
△	[2.404]	[2.242]	[2.192]	[2.676]	[2.404]	[1.894]	[.800]				
△	55.98	51.87	50.60	62.89	55.98	43.03	17.78	14	29	30	111506-7
△	[2.204]	[2.042]	[1.992]	[2.476]	[2.204]	[1.694]	[.700]				
△	50.90	46.79	45.52	57.81	50.90	37.95	15.24	12	25	26	111506-6
△	[2.004]	[1.842]	[1.792]	[2.276]	[2.004]	[1.494]	[.600]				
△	48.36	44.25	42.98	55.27	48.36	35.41	13.97	11	23	24	111506-5
△	[1.904]	[1.742]	[1.692]	[2.176]	[1.904]	[1.394]	[.550]				
△	43.28	39.17	37.90	50.19	43.28	30.33	11.43	9	19	20	111506-4
△	[1.704]	[1.542]	[1.492]	[1.976]	[1.704]	[1.194]	[.450]				
△	38.20	34.09	32.82	45.11	38.20	25.25	8.89	7	15	16	111506-3
△	[1.504]	[1.342]	[1.292]	[1.776]	[1.504]	[.994]	[.350]				
△	35.66	31.55	30.28	42.57	35.66	22.71	7.62	6	13	14	111506-2
△	[1.404]	[1.242]	[1.192]	[1.676]	[1.404]	[.894]	[.300]				
△	30.58	26.47	25.20	37.49	30.58	17.63	5.08	4	9	10	111506-1
△	[1.204]	[1.042]	[.992]	[1.476]	[1.204]	[.694]	[.200]				

△ SUPERCEDED

△ SUPERCEDED

CONTACT FINISH	J	H	G	F	E	D	C	B	A	NO. OF POSN	PART NUMBER

THIS DRAWING IS A CONTROLLED DOCUMENT. DATE: 11-28-82
 BY: M. HENNEY
 PROJECT FILE: 108-1336
 CUSTOMER: 114-7011
 PART: 100779 (G=111506)
 DATE: 11-28-82
 SHEET: 2 OF 2
 CUSTOMER DRAWING

TE Connectivity
 UNIVERSAL I/O PIN CONNECTOR,
 WITH SLOTTED MOUNTING EARS, WITH
 STRAIN RELIEF LATCHES, AMP-LATCH
 RECONNECT TO