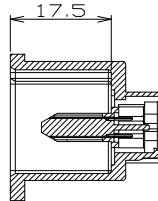
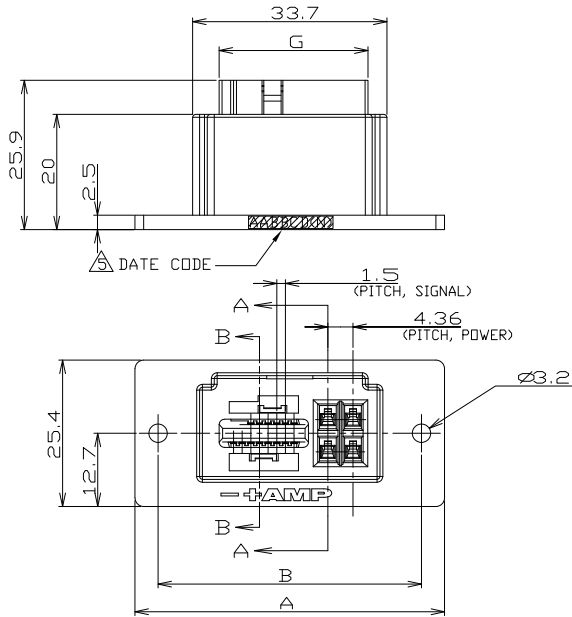
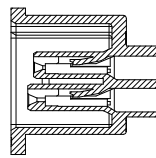


THIS DRAWING IS UNPUBLISHED. RELEASED FOR PUBLICATION.  
 BY TYCO ELECTRONICS CORPORATION. ALL RIGHTS RESERVED.

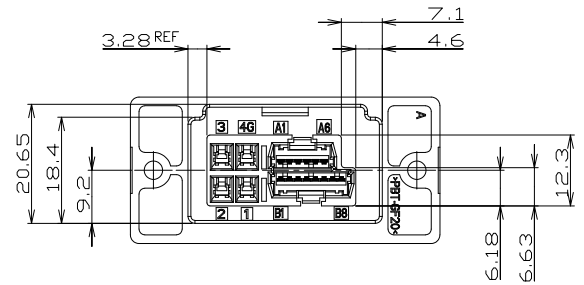
LOC	DIST	REVISIONS		DATE	BY	APPD
F	LR	DESCRIPTION				
B1		REVISED EDR-07-028230		26NOV07	A,L	S,Y



SECT B-B



SECT A-A



- NOTES:
- ① USE WITHMT REC CONN P/N: X-353293-X
  - ② USE WITHMT REC CONN P/N: X-353908-X
  - CRIMP HSG P/N: 353907-1
  - CRIMP CONT P/N: 353918-1(L/P)
  - ③ USE WITH POWER CONTACT P/N:1123907-1(KNOT ASSEMBLED WHEN SHIPPED)
  - ④ MATERIAL: HOUSING :GLASS FILLED THERMOPLASTIC,UL94V-0,GRAY
  - SIGNAL CONTACT:BRASS
  - ⑤ FINISH (SIGNAL CONTACT): NICKEL UNDERPLATE ALL OVER
  - LATTICE MATING AREA:GOLD PLATE
  - MINI CT MATING AREA:MATTE TIN PLATE
  - ⑥ LOCATION OF DATE CODE: AABBCD(N)
  - (AA: YEAR, BB: WEEK, C: DAY OF WEEK, D: DAYTIME, N: NIGHT)

11.3	25.82	3.75	4.25	34.7	33.7	45.7	53.7	C	14(6+8)	4	5-292246-4
11.3	25.82	3.75	4.25	34.7	33.7	45.7	53.7	B	14(6+8)	4	3-292246-4
11.3	25.82	2.05	2.55	34.7	33.7	45.7	53.7	A	14(6+8)	4	1-292246-4
WEIGHT (g)	G	F	E	D	C	B	A	KEY TYPE	SIGNAL POSITION	POWER SIZE	PART NUMBER

THIS DRAWING IS A CONTROLLED DOCUMENT.

DIMENSIONS: mm	TOLERANCES UNLESS OTHERWISE SPECIFIED:	DWG: J.JIANG	OFFER03	Tyco Electronics Corporation
0 PLG ± .	1 PLG ± .	CHK: S.Y.	OFFER03	Shanghai ,PRC 200233
2 PLG ± .	3 PLG ± .	APPD: T.SASAKI	OFFER03	RECEPTACLE ASSEMBLY
4 PLG ± .	ANGLES ± .	PRODUCT SPEC: 108-60028	OFFER03	FOR AMP 1.5 PITCH MINI CT
MATERIAL: SEE NOTE	FINISH: SEE NOTE	APPLICATION SPEC: 114-5256	OFFER03	HYBRID LATTICE CONNECTOR
SIZE: A2	ONE CODE: 00779	WEIGHT: C=292246	OFFER03	RESTRICTED TO: -
CUSTOMER DRAWING	SCALE: NTS	SHEET: 1 of 3	REV: B1	

4

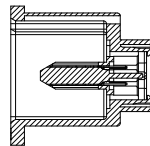
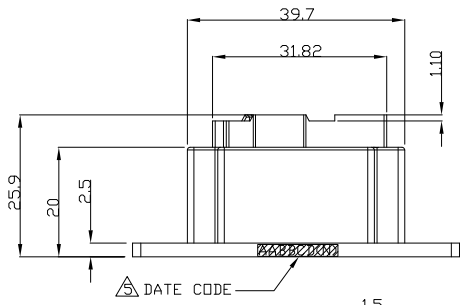
3

2

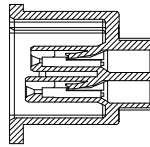
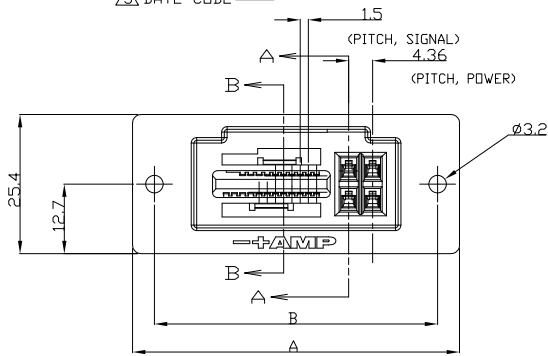
1

THIS DRAWING IS UNPUBLISHED. RELEASED FOR PUBLICATION. BY TYCO ELECTRONICS CORPORATION. ALL RIGHTS RESERVED.

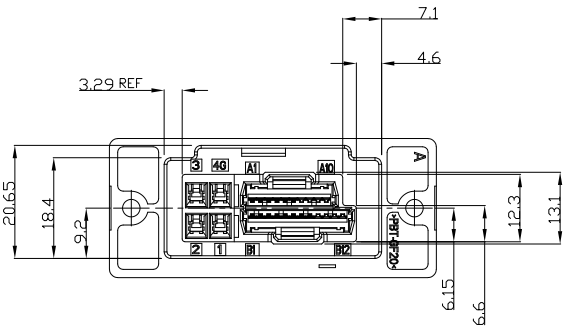
LOC	DIST	REVISIONS			
		REV	DATE	BY	APP
		1			
		DESCRIPTION			
		SEE SHEET 1			



SECT B-B



SECT A-A



NOTES:

- ① USE WITHMT REC. CONN P/N: X-353293-X  
CRIMP HSG P/N: X-353908-X  
CRIMP CNT P/N: 353907-1  
353918-1(L/P)
- ② USE WITH POWER CONTACT P/N:1123907-1(KNOT ASSEMBLED WHEN SHIPPED)
- ③ MATERIAL:  
HOUSING :GLASS FILLED THERMOPLASTIC,UL94V-0,GRAY  
SIGNAL CONTACT:BRASS
- ④ FINISH (SIGNAL CONTACT):  
NICKEL UNDERPLATE ALL OVER  
LATTICE MATING AREA:GOLD PLATE  
MINI CT MATING AREA: MATTE TIN PLATE
- ⑤ LOCATION OF DATE CODE: AABBCD(N)  
(AA: YEAR, BB: WEEK, C: DAY OF WEEK, D: DAYTIME, N: NIGHT)

13.0	31.82	6.75	7.25	40.7	39.7	51.7	59.7	C	22(10+12)	4	6-292246-2
13.0	31.82	6.75	7.25	40.7	39.7	51.7	59.7	B	22(10+12)	4	4-292246-2
13.0	31.82	5.05	5.55	40.7	39.7	51.7	59.7	A	22(10+12)	4	2-292246-2
WEIGHT (g)	G	F	E	D	C	B	A	KEY TYPE	SIGNAL POSITION	POWER SIZE	PART NUMBER

THIS DRAWING IS A CONTROLLED DOCUMENT.

DIMENSIONS: mm	TOLERANCES UNLESS OTHERWISE SPECIFIED	DWG: OK	DATE: 02/24/99	NAME: Y. J. CHEN
MATERIAL	FINISH	PRODUCT SPEC: AMP	APPLICATION SPEC:	SCALE: NTS
		REVISIONS:	SIZE: A2	CAGE CODE: 00779
		CUSTOMER DRAWING	PART NUMBER: 292246	
			RESTRICTED TO:	SCALE: NTS
			SHEET: 2 of 3	REV: B1

Ytyco Electronics Corporation  
Shanghai, PRC 200233

RECEPTACLE ASSEMBLY  
FOR AMP 1.5 PITCH MINI CT  
HYBRID LATTICE CONNECTOR

4

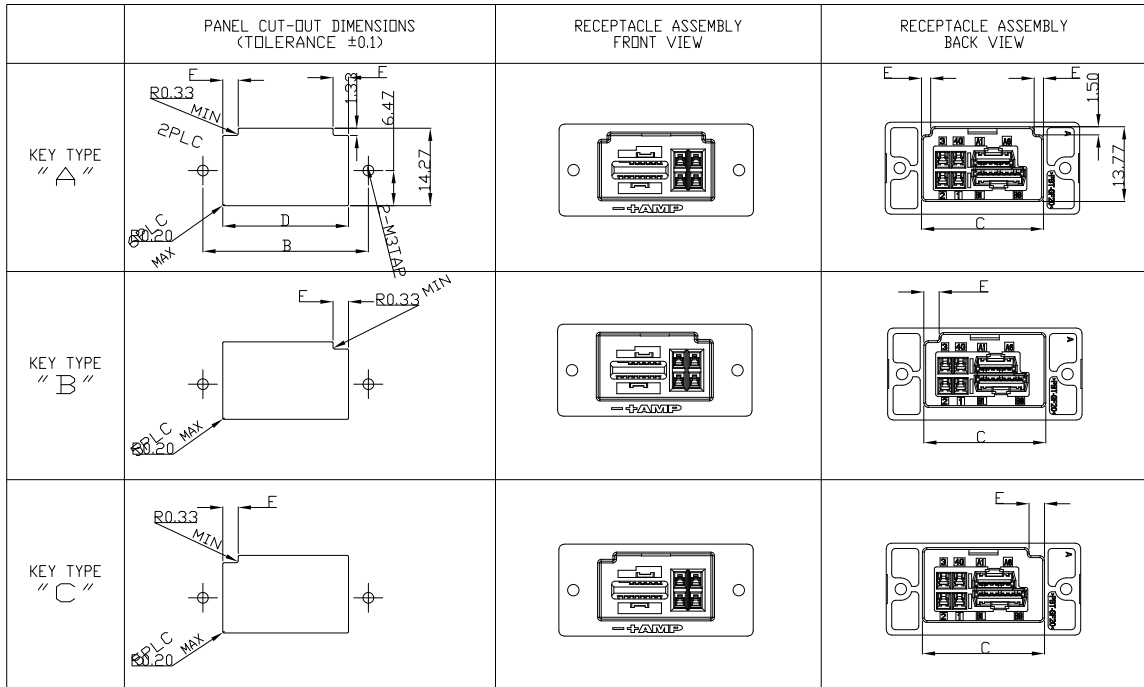
3

2

1

THIS DRAWING IS UNPUBLISHED. RELEASED FOR PUBLICATION  
 BY TYCO ELECTRONICS CORPORATION. ALL RIGHTS RESERVED.

LOC	DIST	REVISIONS		
F	LN	DESCRIPTION	DATE	BY
-	-	SEE SHEET 1	-	-



THIS DRAWING IS A CONTROLLED DOCUMENT.

DIMENSIONS:	mm	TOLERANCES UNLESS OTHERWISE SPECIFIED:	0 PLC ± .1	1 PLC ± .1	2 PLC ± .1	3 PLC ± .1	4 PLC ± .1	ANGLES ± .5
MATERIAL:		FINISH:						

APPROVED:	CHK	DATE	NAME
DESIGNED:	APPRO	DATE	NAME
PRODUCT SPEC:		DATE	NAME
APPLICATION SPEC:		DATE	NAME
HEIGHT:		DATE	NAME

Tyco Electronics Corporation  
 Shanghai, PRC 200233  
 RECEPTACLE ASSEMBLY  
 FOR AMP 1.5 PITCH MINI CT  
 HYBRID LATTICE CONNECTOR  
 SIZE: A2 CASE CODE: 00779 DRAWING NO: C-292246  
 CUSTOMER DRAWING SCALE: NTS SHEET: 3 of 3 REV: B1

AMP 1471-9 REV 31MM2000

292246

A