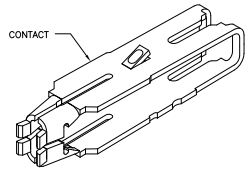
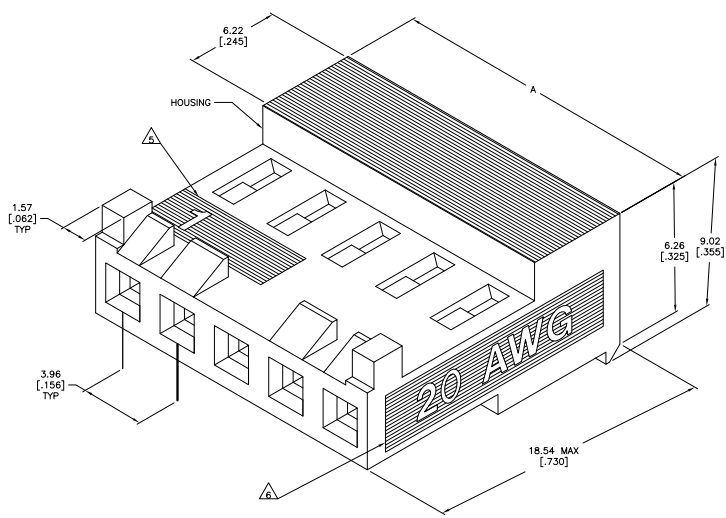
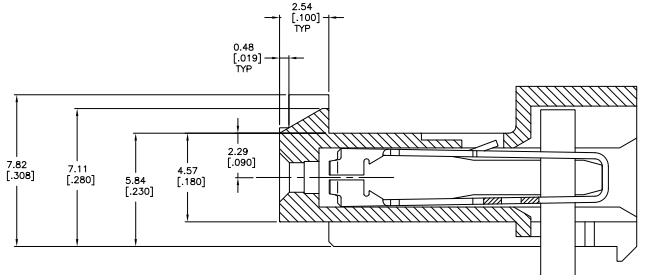


THIS DRAWING IS UNPUBLISHED. REVISIONS FOR PURCHASER. © 2008 BY TDS ELECTRONICS CORPORATION. ALL RIGHTS RESERVED.

| REV | DATE | DESCRIPTION | BY | CHK | APP |
|-----|---------------------------|-------------|---------|-----|-----|
| D | ECO-07-012892 | | 23AP07 | KW | DB |
| DT | REVISED PER ECO-09-022908 | | 08C0709 | KK | AEC |



1. OPERATING TEMPERATURE: -55° C TO 105° C.
2. MATERIAL: HOUSING, NYLON 6/6, UL 94V-0, BLACK CONTACT, 0.30 [.012] THICK COPPER ALLOY
3. FINISH: BRIGHT TIN-LEAD PLATE 0.00203-0.00508 [.000080-.000200"] THICK. OR MATTE WHISKER MITIGATED TIN 0.00203 [.000080] MIN THICKNESS OVER NICKEL UNDERPLATE.
4. LUBRICATED WITH AMP ANTI-FRETTING LUBRICANT.
5. IDENTIFICATION NUMBER FOR FIRST CIRCUIT.
6. WIRE GAUGE IDENTIFICATION
7. DIMENSIONS IN BRACKETS ARE IN INCHES.
8. CONTACT MUST ACCEPT 1.14±0.03 [.045±.001] SQUARE POST AND REMAINED LOCKED IN POSITION.
9. OBSOLETE PARTS: OBSOLETE CIS STREAMLINING PER D.RENAUD/D.SINISI



WIRE SIZE 0.5-0.6 mm² (20 AWG)
2.41 [.095] MAX INSULATION DIA

| | | | | |
|--------|------------|--------------|------------|------------|
| TIN | 47.55±0.30 | [1.872±.012] | 12 | 4-644382-2 |
| TIN | 43.59±0.30 | [1.716±.012] | 11 | 4-644382-1 |
| TIN | 39.62±0.30 | [1.560±.012] | 10 | 4-644382-0 |
| TIN | 35.66±0.30 | [1.404±.012] | 9 | 3-644382-9 |
| TIN | 31.70±0.30 | [1.248±.012] | 8 | 3-644382-8 |
| TIN | 27.74±0.30 | [1.092±.012] | 7 | 3-644382-7 |
| TIN | 23.77±0.30 | [.936±.012] | 6 | 3-644382-6 |
| TIN | 19.81±0.30 | [.780±.012] | 5 | 3-644382-5 |
| TIN | 15.85±0.15 | [.624±.006] | 4 | 3-644382-4 |
| TIN | 11.89±0.15 | [.468±.006] | 3 | 3-644382-3 |
| TIN | 7.92±0.15 | [.312±.006] | 2 | 3-644382-2 |
| FINISH | A | | NO OF CKTS | PART NO |

| | | | | |
|----------|------------|--------------|------------|------------|
| TIN-LEAD | 47.55±0.30 | [1.872±.012] | 12 | 1-644382-2 |
| TIN-LEAD | 43.59±0.30 | [1.716±.012] | 11 | 1-644382-1 |
| TIN-LEAD | 39.62±0.30 | [1.560±.012] | 10 | 1-644382-0 |
| TIN-LEAD | 35.66±0.30 | [1.404±.012] | 9 | 644382-9 |
| TIN-LEAD | 31.70±0.30 | [1.248±.012] | 8 | 644382-8 |
| TIN-LEAD | 27.74±0.30 | [1.092±.012] | 7 | 644382-7 |
| TIN-LEAD | 23.77±0.30 | [.936±.012] | 6 | 644382-6 |
| TIN-LEAD | 19.81±0.30 | [.780±.012] | 5 | 644382-5 |
| TIN-LEAD | 15.85±0.15 | [.624±.006] | 4 | 644382-4 |
| TIN-LEAD | 11.89±0.15 | [.468±.006] | 3 | 644382-3 |
| TIN-LEAD | 7.92±0.15 | [.312±.006] | 2 | 644382-2 |
| FINISH | A | | NO OF CKTS | PART NO |

THIS DRAWING IS A CONTROLLED DOCUMENT. DATE: 11/14/08. DRAWN BY: J. MILLER. CHECKED BY: J. MILLER. APPROVED BY: J. MILLER. CUSTOMER DRAWING: A100779. SIZE: 10.1. REV: 1. DT

