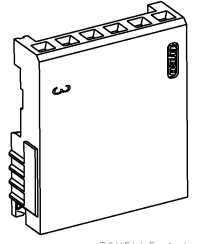
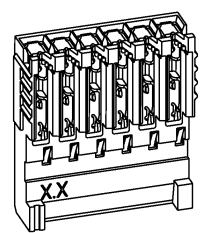
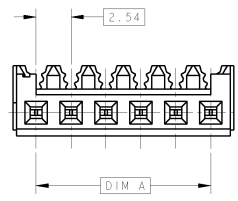


THIS DRAWING IS UNPUBLISHED
 INFORMATION IS UNCLASSIFIED
 UNLESS INDICATED OTHERWISE
 (C) COPYRIGHT 2012 BY TYCO ELECTRONICS CORPORATION. ALL RIGHTS RESERVED.

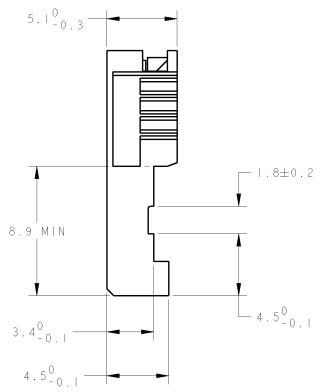
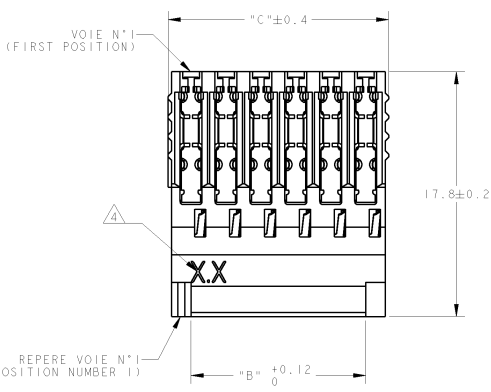
FILS ADMISSIBLES (ACCEPTABLE WIRES)	
GAUGE (AWG) SECTION / 7 BRINS (7 STRANDS)	26-24 0.12-0.22mm ²
ISOLANT: Ø MAX / MATIERE (INSUL.: Ø MAX / MAT'L)	Ø 1.2 / PVC

REVISIONS				
REV	DATE	DESCRIPTION	BY	APP'D
A	02/90	ADJOUT 1 REF.	AC	
B	06/90	REDESSINE	AC	
C	08/02/04	REDESSINE SUR (REDRAWN ON) PRO/ENG	CC	YP
D	20/04/2011	UPDATED	TC	YP



ECHELLE 4:1
SCALE

ECHELLE 4:1
SCALE



46.52	43.18	18	1-281783-8 *
38.90	35.56	15	1-281783-5 *
31.28	27.94	12	1-281783-2 *
26.20	22.86	10	1-281783-0 *
21.12	17.78	8	0-281783-8 *
16.04	12.70	6	0-281783-6 *
13.50	10.16	5	0-281783-5 *
10.96	7.62	4	0-281783-4 *
8.42	5.08	3	0-281783-3 *
5.88	2.54	2	0-281783-2 *

- | | |
|--|--|
| <p>1 CES CONNECTEURS SONT PREVUS POUR ETRE ACCOUPLES AVEC LES EMBASES 'HE1402' SIMPLE RANGEE</p> <p>2 LES REFERENCES SUIVIES D'UN ' * ' SONT LES VERSIONS NORMALISEES SELON LA 'CEI 603-8'</p> <p>△ REVETEMENT DES CONTACTS: ETAME</p> <p>△ 'X.X' EST REMPLACÉ PAR LES DEUX DEUXIEME CHIFFRES DU COUPLE DES JAUGES AWG</p> <p>△ MATIERES - BOITIER: PBT UL94V0
- CONTACTS: BRONZE PHOSPHOREUX.</p> | <p>(THESE CONNECTEURS ARE DESIGNED TO BE MATED WITH 'HE1402' HEADERS SINGLE ROW)</p> <p>(THE PART-NO FOLLOWED BY ' * ' ARE COVERED BY THE INTERNATIONAL STANDARD 'IEC603-8')</p> <p>(CONTACTS PLATING: TIN)</p> <p>('X.X' REPLACED BY THE TWO SECOND DIGIT OF AWG RANGE AS DEFINED IN TABLE)</p> <p>(MATERIAL - HOUSING: PBT UL94V0
- CONTACTS: PHOSPHOR BRONZE)</p> |
|--|--|

<p>SYMBOLS: DIMENSIONS (mm)</p> <p>CONTOUR: 1-281783-8</p> <p>GAUGE: 26-24</p> <p>SECTION: 0.12-0.22mm²</p> <p>ISOLANT: Ø 1.2 / PVC</p>		<p>DATE: 20/04/2011</p> <p>REV: 1</p> <p>BY: TC</p> <p>APP'D: YP</p>	
<p>AMP DE FRANCE</p> <p>95301 PONTOISE</p>		<p>HE 1402 PLUG, 180 deg IDC SINGLE ROW</p>	
<p>SCALE: 4:1</p>		<p>SHEET: 5 OF 1</p>	