

4

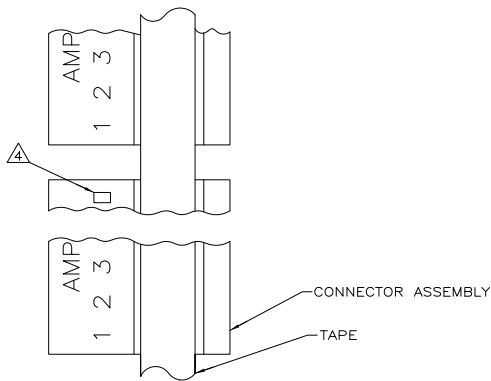
3

2

1

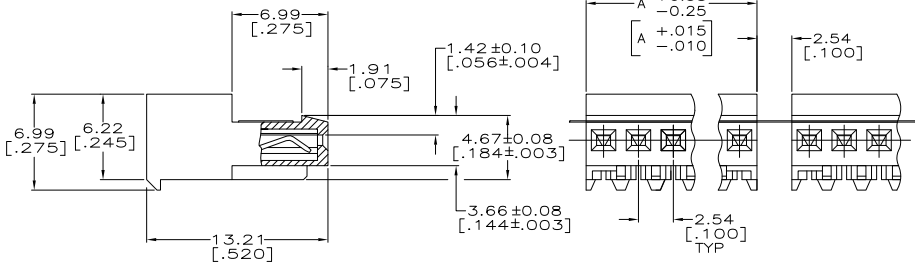
THIS DRAWING IS UNPUBLISHED. RELEASED FOR PUBLICATION. ALL RIGHTS RESERVED.

LOC	DIST	REVISIONS			
P	LTR	DESCRIPTION	DATE	BY	APPD
CM	00				
	AB2	REVISED PER ECO-11-004820	11MAR11	RK	HMR



- 1. MATERIAL: CONNECTOR - NYLON UL94-V2 (WHITE)
CONTACTS - 0.30[.012] THICK COPPER ALLOY
BRIGHT TIN-LEAD 0.00203[.000080] MIN. THICK
FOR CONTACTS 640469-2 THRU 2-640469-8.
MATTE WHISKER MITIGATED TIN PLATE 0.00203[.000080] MIN.
THICK OVER NICKEL UNDERPLATE FOR CONTACTS 3-640469-2
THRU 5-640469-8.
- 2. CONTACTS ACCEPT 24 AWG WIRE WITH 1.52[.060] MAX INSULATION DIAMETER.
- 3. CONTACTS MUST ACCEPT 0.64 ± 0.03[.025 ± .001] SQUARE POST AND REMAIN LOCKED IN POSITION.
- 4. IDENTIFICATION NUMBER FOR LAST CIRCUIT MAY NOT APPEAR ON ALL ASSEMBLIES.
- 5. DIMENSIONS IN BRACKETS ARE IN INCHES.
- 6. HOUSING FEATURES ARE: CLOSED END WITH LOCKING RAMP.
- 7. OBSOLETE PARTS: OBSOLETE CIS STREAMLINING PER D.RENAUD/D.SINISI

YES	71.12[2.800]	28	5-640469-8
YES	68.58[2.700]	27	5-640469-7
YES	66.04[2.600]	26	5-640469-6
YES	63.50[2.500]	25	5-640469-5
YES	60.96[2.400]	24	5-640469-4
YES	58.42[2.300]	23	5-640469-3
YES	55.88[2.200]	22	5-640469-2
YES	53.34[2.100]	21	5-640469-1
YES	50.80[2.000]	20	5-640469-0
YES	48.26[1.900]	19	4-640469-9
YES	45.72[1.800]	18	4-640469-8
YES	43.18[1.700]	17	4-640469-7
YES	40.64[1.600]	16	4-640469-6
YES	38.10[1.500]	15	4-640469-5
YES	35.56[1.400]	14	4-640469-4
YES	33.02[1.300]	13	4-640469-3
YES	30.48[1.200]	12	4-640469-2
YES	27.94[1.100]	11	4-640469-1
YES	25.40[1.000]	10	4-640469-0
YES	22.86[900]	9	3-640469-9
YES	20.32[800]	8	3-640469-8
YES	17.78[700]	7	3-640469-7
YES	15.24[600]	6	3-640469-6
YES	12.70[500]	5	3-640469-5
YES	10.16[400]	4	3-640469-4
YES	7.62[300]	3	3-640469-3
YES	5.08[200]	2	3-640469-2
NO	71.12[2.800]	28	2-640469-8
NO	68.58[2.700]	27	2-640469-7
NO	66.04[2.600]	26	2-640469-6
NO	63.50[2.500]	25	2-640469-5
NO	60.96[2.400]	24	2-640469-4
NO	58.42[2.300]	23	2-640469-3
NO	55.88[2.200]	22	2-640469-2
NO	53.34[2.100]	21	2-640469-1
NO	50.80[2.000]	20	2-640469-0
NO	48.26[1.900]	19	1-640469-9
NO	45.72[1.800]	18	1-640469-8
NO	43.18[1.700]	17	1-640469-7
NO	40.64[1.600]	16	1-640469-6
NO	38.10[1.500]	15	1-640469-5
NO	35.56[1.400]	14	1-640469-4
NO	33.02[1.300]	13	1-640469-3
NO	30.48[1.200]	12	1-640469-2
NO	27.94[1.100]	11	1-640469-1
NO	25.40[1.000]	10	1-640469-0
NO	22.86[900]	9	640469-9
NO	20.32[800]	8	640469-8
NO	17.78[700]	7	640469-7
NO	15.24[600]	6	640469-6
NO	12.70[500]	5	640469-5
NO	10.16[400]	4	640469-4
NO	7.62[300]	3	640469-3
NO	5.08[200]	2	640469-2
LEADFREE	DIM A	NO. OF CIRCUITS	PART NO.



- △ SUPERSEDED BY 5-640469-8 NO 71.12[2.800]
- △ SUPERSEDED BY 5-640469-7 NO 68.58[2.700]
- △ SUPERSEDED BY 5-640469-6 NO 66.04[2.600]
- △ SUPERSEDED BY 5-640469-5 NO 63.50[2.500]
- △ SUPERSEDED BY 5-640469-4 NO 60.96[2.400]
- △ SUPERSEDED BY 5-640469-3 NO 58.42[2.300]
- △ SUPERSEDED BY 5-640469-2 NO 55.88[2.200]
- △ SUPERSEDED BY 5-640469-1 NO 53.34[2.100]
- △ SUPERSEDED BY 5-640469-0 NO 50.80[2.000]
- △ SUPERSEDED BY 4-640469-9 NO 48.26[1.900]
- △ SUPERSEDED BY 4-640469-8 NO 45.72[1.800]
- △ SUPERSEDED BY 4-640469-7 NO 43.18[1.700]
- △ SUPERSEDED BY 4-640469-6 NO 40.64[1.600]
- △ SUPERSEDED BY 4-640469-5 NO 38.10[1.500]
- △ SUPERSEDED BY 4-640469-4 NO 35.56[1.400]
- △ SUPERSEDED BY 4-640469-3 NO 33.02[1.300]
- △ SUPERSEDED BY 4-640469-2 NO 30.48[1.200]
- △ SUPERSEDED BY 4-640469-1 NO 27.94[1.100]
- △ SUPERSEDED BY 4-640469-0 NO 25.40[1.000]
- △ SUPERSEDED BY 3-640469-9 NO 22.86[900]
- △ SUPERSEDED BY 3-640469-8 NO 20.32[800]
- △ SUPERSEDED BY 3-640469-7 NO 17.78[700]
- △ SUPERSEDED BY 3-640469-6 NO 15.24[600]
- △ SUPERSEDED BY 3-640469-5 NO 12.70[500]
- △ SUPERSEDED BY 3-640469-4 NO 10.16[400]
- △ SUPERSEDED BY 3-640469-3 NO 7.62[300]
- NO 5.08[200]

METRIC

THIS DRAWING IS A CONTROLLED DOCUMENT. DIM: S. CARPENTIER 22/01/2003

TE Connectivity

TE MTA-100 CONNECTOR ASSEMBLY, 24 AWG, STANDARD, TAPE MOUNTED

APPROVED: D. BOSSI 22/01/2003

PRODUCT SPEC: 108-1050

APPLICATION SPEC: 114-1019

SIZE: A2 CASE CODE: C=640469

CUSTOMER DRAWING SCALE: 5:1 SHEET: 1 of 1 REV: AB2