

REVISIONS				
REV.	ECO. NO	DESCRIPTION	DATE	BY
A	1833	INITIAL RELEASE	10/30/2008	JH
B	1845	UPDATE TOLERANCE BLOCK, ADD NOTE 11.	11/6/2008	JH
C	1909	ADD 'V' PLATING, UPDATE NOTES	2/4/2009	JH

PART NUMBER CODING
SFH213-PP_N-D _-ID- _-M181

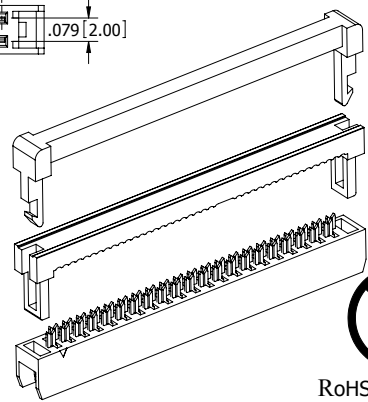
COLOR
 BK= BLACK
 GY= GREY

NUMBER OF POSITIONS
 (CONTACTS PER ROW)

PLATING
 P = GOLD FLASH OVERALL
 E = .000100" PURE TIN, MATTE, OVERALL
 V = GOLD FLASH ON CONTACT SURFACE,
 NICKEL ON TERMINATION.

PART NUMBER	POSITIONS/ CONTACTS	A		B	
		INCH	MM	INCH	MM
SFH213-PP_N-D03-ID- _-M181	03/06	0.157	4.00	0.443	11.25
SFH213-PP_N-D04-ID- _-M181	04/08	0.236	6.00	0.522	13.25
SFH213-PP_N-D05-ID- _-M181	05/10	0.315	8.00	0.600	15.25
SFH213-PP_N-D06-ID- _-M181	06/12	0.394	10.00	0.679	17.25
SFH213-PP_N-D07-ID- _-M181	07/14	0.472	12.00	0.758	19.25
SFH213-PP_N-D08-ID- _-M181	08/16	0.551	14.00	0.837	21.25
SFH213-PP_N-D09-ID- _-M181	09/18	0.630	16.00	0.915	23.25
SFH213-PP_N-D10-ID- _-M181	10/20	0.709	18.00	0.994	25.25
SFH213-PP_N-D11-ID- _-M181	11/22	0.787	20.00	1.073	27.25
SFH213-PP_N-D12-ID- _-M181	12/24	0.866	22.00	1.152	29.25
SFH213-PP_N-D13-ID- _-M181	13/26	0.945	24.00	1.230	31.25
SFH213-PP_N-D15-ID- _-M181	15/30	1.102	28.00	1.388	35.25
SFH213-PP_N-D17-ID- _-M181	17/34	1.260	32.00	1.545	39.25
SFH213-PP_N-D20-ID- _-M181	20/40	1.496	38.00	1.781	45.25
SFH213-PP_N-D22-ID- _-M181	22/44	1.654	42.00	1.939	49.25
SFH213-PP_N-D25-ID- _-M181	25/50	1.890	48.00	2.175	55.25
SFH213-PP_N-D30-ID- _-M181	30/60	2.283	58.00	2.569	65.25
SFH213-PP_N-D34-ID- _-M181	34/68	2.598	66.00	2.884	73.25

- NOTES:**
1. INSULATOR MATERIAL: PBT 30% GLASS FIBER.
 2. CONTACT MATERIAL: PHOSPHOR BRONZE.
 3. PLATING: SEE PART NUMBER CODING.
 4. OPERATING TEMPERATURE: -45 °C TO +85 °C.
 5. UL FLAMMABILITY RATING: 94V-0.
 6. CURRENT RATING: 1 AMP PER CONTACT..
 7. INSULATION RESISTANCE: 1,000M OHMS MIN.
 8. DIELECTRIC WITHSTANDING: 500 VAC
 9. MATES WITH SBH21 SERIES.
 10. FOR FLAT CABLE CONNECTOR.
 11. M181 DENOTES PART W/O POLARIZING KEY.



RoHS COMPLIANT

UNLESS OTHERWISE SPECIFIED:
 DIMENSIONS ARE IN INCHES(MM)
 TOLERANCES:
 ANGULAR: ± .30°
 X" = ± .008 [0.20]
 Y" = ± .008 [0.20]
 .XX" = ± .006 [0.15]
 .XXX" = ± .008 [0.20]
 SURFACE FINISH: 63 Ra
 REMOVE ALL BURRS AND SHARP EDGES .010 MAX

DATE	NAME	
10/29/08	JH	
<small>THE INFORMATION HEREIN CONTAINS PROPRIETARY INFORMATION OF SULLINS ELECTRONICS AND IS NOT TO BE REPRODUCED, COPIED, OR DISCLOSED TO OTHERS FOR ANY PURPOSE EXCEPT AS SPECIFICALLY AUTHORIZED IN WRITING BY AN OFFICER OF SULLINS ELECTRONICS.</small>		<small>DESCRIPTION: HEADER FEMALE, 0.0192(0.50) CC, SR w/o POLARIZING KEY</small>
PART NUMBER SFH213-PP_N-D _-ID- _-M181		SIZE DWG. NO. C 11157
<small>INTERPRET DIMENSIONS AND GEOMETRIC TOLERANCING PER: ANSI Y14.5M-1994</small>		<small>REV</small> C
<small>SCALE: NTS</small>		<small>SHEET 1 OF 1</small>