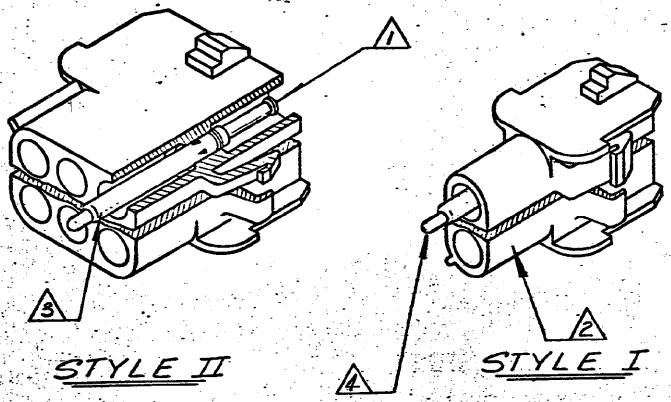


4 DRAWING MADE IN THIRD ANGLE PROJECTION

© COPYRIGHT 1975 BY AMP INCORPORATED, HARRISBURG, PA. ALL INTERNATIONAL RIGHTS RESERVED. AMP INCORPORATED PRODUCTS COVERED BY U. S. AND FOREIGN PATENTS AND/OR PATENTS PENDING.

1 LOC CM DIST 53

REVISIONS				
ZONE	LTR	DESCRIPTION	DATE	APPROVED
A		REMOVED STICKER PER M-6833	2-23-81	MSF / JH
A1		RESTORATION	4-23-81	SI / AK
A2		REVISED PER ECO-09-026346	27NOV81	KK / AEG



- 1 SPRING LOADED TEST PROBE
- 2 CAP HOUSING - FLAME RETARDANT NYLON (94V0 RATING), FINISH-NATURAL
- 3 TEST PROBE RECEPTACLE MATERIAL-BRASS, FINISH- PRE-TIN
- 4 ACCEPTS UNIVERSAL MATE-N-LOK SOCKETS
- 5 OBSOLETE PARTS: OBSOLETE CIS STREAMLINING PER D.RENAUD/D.SINISI

OBsolete	STYLE	NO. OF CIRCUITS	PART NO
	II	15	1350849-5
	II	12	1350849-2
	II	9	350849-9
	II	6	350849-6
	I	5	350849-5
	I	4	550849-4
	I	3	350849-3
	I	2	350849-2

UNLESS OTHERWISE SPECIFIED DIMENSIONS ARE IN INCHES. TOLERANCES ON: DECIMALS ± ANGLES ±	CONTRACT NO	AMP INCORPORATED Harrisburg, Pa.
	DR R.C. WINGARD	
MATERIAL	APPD R.P. Frank	NAME UNIVERSAL MATE-N-LOK CAP TEST ASSEMBLY
FINISH	DSGN APPD	SIZE B
	OTHER APPD	CODE IDENT NO 00779
		DRAWING NO 350849
		SCALE
		SHEET

AMP 1470-15 (7-75)

CUSTOMER DRAWING