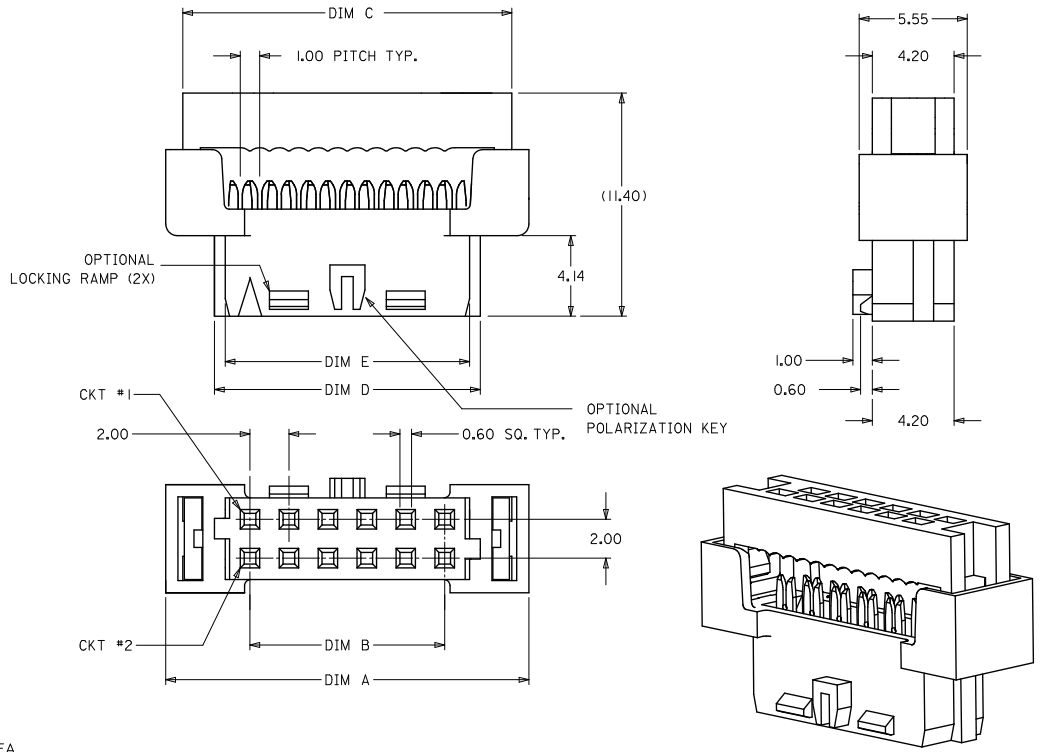


10 9 8 7 6 5 4 3 2 1

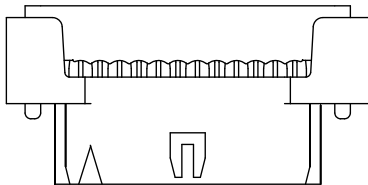


1. MATERIALS:
 - HOUSING - PBT, GLASS FILLED UL94V-0 BLACK
 - TERMINAL - COPPER ALLOY
2. FINISHES
 - PLATING 3 - 15uin (0.38um) SELECTIVE GOLD IN CONTACT AREA AND 75uin (1.88um) TIN IN IDT AREA OVER 50uin (1.25um) NICKEL OVERALL.
 - PLATING 4 - 30uin (0.76um) SELECTIVE GOLD IN CONTACT AREA AND 75uin (1.88um) TIN IN IDT AREA OVER 50uin (1.25um) NICKEL OVERALL.
3. PRODUCT SPEC PS-87568-004 APPLIES
4. FOR ILLUSTRATION PURPOSES, 12 CKT IS SHOWN
5. PART MATES WITH ALL MILLIGRID HEADERS WITH MATING LENGTH BETWEEN 2.50mm AND 4.20mm
6. PART IS DESIGNED FOR 1.00mm PITCH FLAT CABLE, 7 STRANDS, AWG #28, UL2651 AND UL2678
7. ALL OTHER CIRCUIT SIZES, CONTACT FACTORY.
8. STRAIN RELIEF TO BE PURCHASED SEPERATELY, REFER TO SD-87569-008

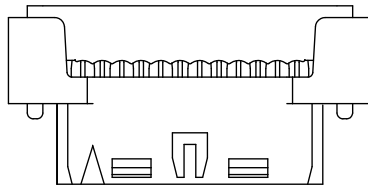
ADD 32CKT OPTION EC NO: S2010-0273 DRWNSKANG 2009/09/28 CHYKATSEE 2009/11/13 APPR:MLONG 2009/11/17	DESCRIPTION H1	QUALITY SYMBOLS	GENERAL TOLERANCES (UNLESS SPECIFIED)	DIMENSION STYLE	SCALE	DESIGN UNITS	THIRD ANGLE PROJECTION															
		$\nabla=0$ $\nabla=0$ $\nabla=0$	<table border="1"> <thead> <tr> <th></th> <th>mm</th> <th>INCH</th> </tr> </thead> <tbody> <tr> <td>4 PLACES</td> <td>± ---</td> <td>± ---</td> </tr> <tr> <td>3 PLACES</td> <td>± ---</td> <td>± ---</td> </tr> <tr> <td>2 PLACES</td> <td>± 0.15</td> <td>± ---</td> </tr> <tr> <td>1 PLACE</td> <td>± ---</td> <td>± ---</td> </tr> </tbody> </table>		mm	INCH	4 PLACES	± ---	± ---	3 PLACES	± ---	± ---	2 PLACES	± 0.15	± ---	1 PLACE	± ---	± ---	MM ONLY	NTS	METRIC	
			mm	INCH																		
		4 PLACES	± ---	± ---																		
3 PLACES	± ---	± ---																				
2 PLACES	± 0.15	± ---																				
1 PLACE	± ---	± ---																				
DRAFT WHERE APPLICABLE MUST REMAIN WITHIN DIMENSIONS	DRAWN BY AGARWAL	DATE 1997/08/05	TITLE MGRID 2MM DUAL ROW IDT RECEPTACLE																			
		CHECKED BY SOUEK	DATE 1997/09/03	MOLEX INCORPORATED																		
		APPROVED BY MLONG	DATE 2009/11/13	SD-87568-003																		
		MATERIAL NO. SEE TABLE		DOCUMENT NO.		SHEET NO. 1 OF 3																
SIZE A3 THIS DRAWING CONTAINS INFORMATION THAT IS PROPRIETARY TO MOLEX INCORPORATED AND SHOULD NOT BE USED WITHOUT WRITTEN PERMISSION																						

9 8 7 6 5 4 3 2 1

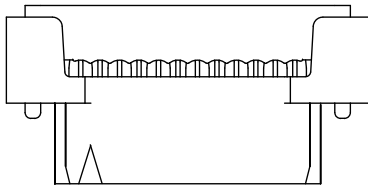
10 | 9 | 8 | 7 | 6 | 5 | 4 | 3 | 2 | 1



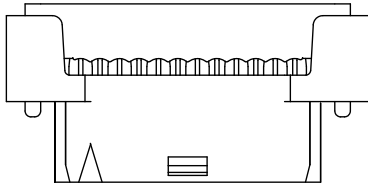
87568-***4*
POLARIZATION ONLY
(APPLICABLE FOR 14 TO 50 CKT)



87568-***9*
POLARIZATION AND RAMP LOCKING
(APPLICABLE FOR 14 TO 50 CKT)



87568-***6*
NO POLARIZATION/RAMP FEATURE
(APPLICABLE FOR 10 TO 50 CKT)



87568-***7*
SINGLE RAMP LOCKING ONLY
(APPLICABLE FOR 10 TO 12 CKT)

ENGINEERING NUMBER	CKT. SIZE	A	B	C	D	E
87568-10**	10	16.65	8.00	14.90	11.65	10.55
87568-12**	12	18.65	10.00	16.90	13.65	12.55
87568-14**	14	20.65	12.00	18.90	15.65	14.55
87568-16**	16	22.65	14.00	20.90	17.65	16.55
87568-20**	20	26.65	18.00	24.90	21.65	20.55
87568-22**	22	28.65	20.00	26.90	23.65	22.55
87568-24**	24	30.65	22.00	28.90	25.65	24.55
87568-26**	26	32.65	24.00	30.90	27.65	26.55
87568-30**	30	36.65	28.00	34.90	31.65	30.55
87568-32**	32	38.65	30.00	36.90	33.65	32.55
87568-34**	34	40.65	32.00	38.90	35.65	34.55
87568-36**	36	42.65	34.00	40.90	37.65	36.55
87568-40**	40	46.65	38.00	44.90	41.65	40.55
87568-44**	44	50.65	42.00	48.90	45.65	44.55
87568-50**	50	56.65	48.00	54.90	51.65	50.55

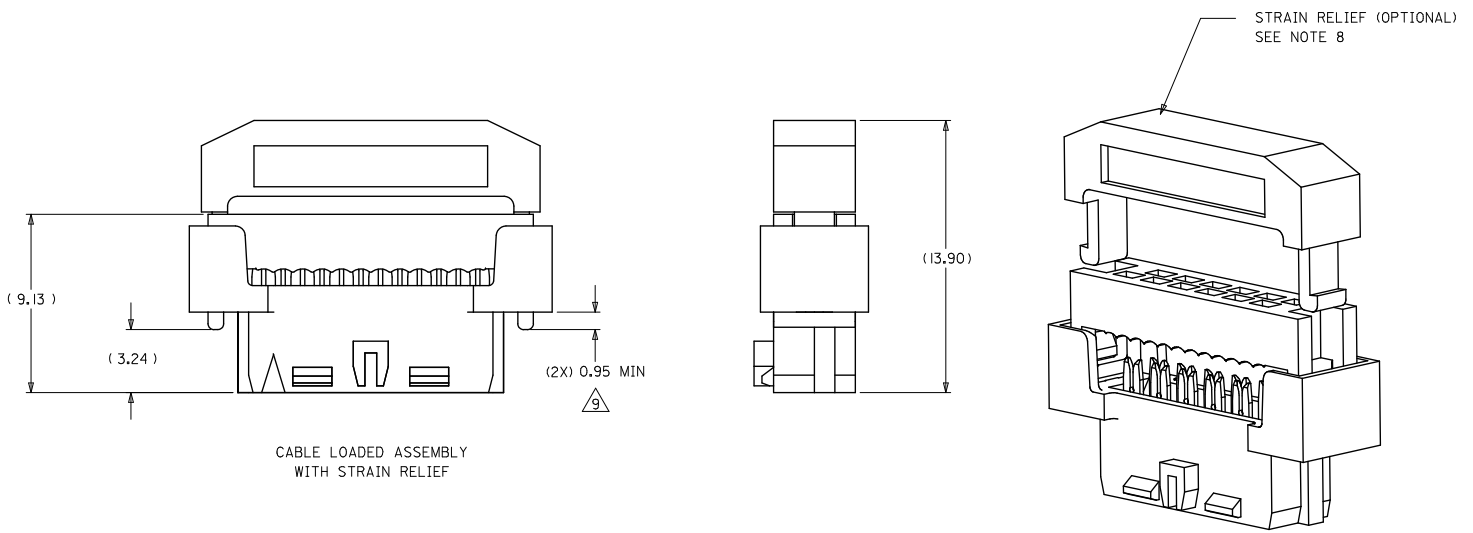
87568 - * * * *
 CKT. SIZE PLATING OPTION (SEE NOTE 2)
 POLARIZATION KEY & LOCKING RAMP OPTION

- 4 - WITH POLARIZATION ONLY FOR 14 - 50 CKT
 - 6 - WITHOUT POLARIZATION AND RAMP LOCKING
 - 7 - WITH SINGLE RAMP LOCKING ONLY FOR 10 & 12 CKT
 - 9 - WITH POLARIZATION AND RAMP LOCKING FOR 14 - 50 CKT
- 10-12 CIRCUIT SIZE HAS ONLY ONE RAMP FOR LOCKING (OPTIONAL)
- 14-50 CIRCUIT SIZE HAS BOTH POLARIZATION AND RAMP LOCKING (OPTIONAL)

ADD 32CKT OPTION IEC NO: S2010-0273 DRWNSKANG 2009/09/28 CHYKATSEE 2009/11/13 APPR:MLONG 2009/11/17	QUALITY SYMBOLS	GENERAL TOLERANCES (UNLESS SPECIFIED)	DIMENSION STYLE	SCALE	DESIGN UNITS	THIRD ANGLE PROJECTION
		mm INCH	MM ONLY	NTS	METRIC	
		4 PLACES ± --- ± ---	DRAWN BY DATE	TITLE		
		3 PLACES ± --- ± ---	AGARWAL 1997/08/05	MGRID 2MM DUAL ROW IDT RECEPTACLE		
	2 PLACES ± 0.15 ± ---	CHECKED BY DATE	MOLEX INCORPORATED			
	1 PLACE ± --- ± ---	SQUEK 1997/09/03	DOCUMENT NO. SHEET NO.			
	ANGULAR ± 3°	APPROVED BY DATE	SD-87568-003 2 OF 3			
	DRAFT WHERE APPLICABLE MUST REMAIN WITHIN DIMENSIONS	MLONG 2009/11/13	THIS DRAWING CONTAINS INFORMATION THAT IS PROPRIETARY TO MOLEX INCORPORATED AND SHOULD NOT BE USED WITHOUT WRITTEN PERMISSION			
		MATERIAL NO. SEE TABLE				

9 | 8 | 7 | 6 | 5 | 4 | 3 | 2 | 1

10 9 8 7 6 5 4 3 2 1



CABLE LOADED ASSEMBLY WITH STRAIN RELIEF

3D VIEW
(12 CKT SHOWN FOR ILLUSTRATION ONLY)

NOTES

THIS DIMENSION IS TO ENSURE GOOD CABLE TERMINATION.

ADD 32CKT OPTION EC NO: S2010-0273 DRWNSKANG 2009/09/28 CHYKATSEE 2009/11/13 APPR:MLONG 2009/11/17 H1 REV	QUALITY SYMBOLS	GENERAL TOLERANCES (UNLESS SPECIFIED)	DIMENSION STYLE	SCALE	DESIGN UNITS	THIRD ANGLE PROJECTION
		mm INCH	MM ONLY	NTS	METRIC	
		4 PLACES ± --- ± ---	DRAWN BY DATE	TITLE		
		3 PLACES ± --- ± ---	AGARWAL 1997/08/05	MGRID 2MM DUAL ROW IDT RECEPTACLE		
	2 PLACES ± 0.15 ± ---	CHECKED BY DATE	MOLEX INCORPORATED			
	1 PLACE ± --- ± ---	SOUK 1997/09/03	DOCUMENT NO.			
	ANGULAR ± 3°	APPROVED BY DATE	SD-87568-003			
	DRAFT WHERE APPLICABLE MUST REMAIN WITHIN DIMENSIONS	MLONG 2009/11/13	SHEET NO.			
		MATERIAL NO.	3 OF 3			
		SEE TABLE	THIS DRAWING CONTAINS INFORMATION THAT IS PROPRIETARY TO MOLEX INCORPORATED AND SHOULD NOT BE USED WITHOUT WRITTEN PERMISSION			

9 8 7 6 5 4 3 2 1