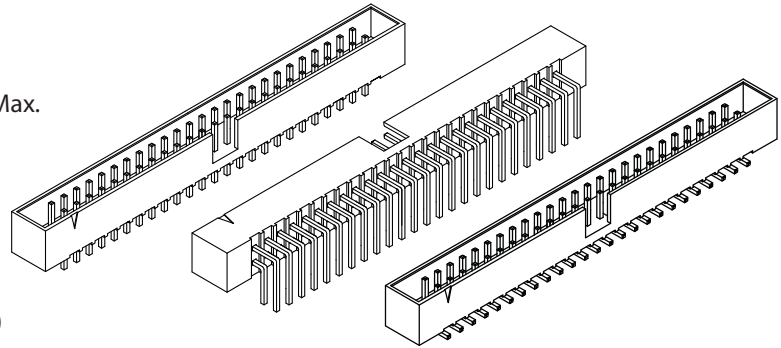




.079" [2.00] Male Shrouded Box Headers, Straight, Right Angle, SMT

SPECIFICATIONS

- **Centered Polarizing Notch**
- Operating Temperature: - 40° C to + 85° C
- Processing Temperature: 230° C for 60 seconds Max.
(260° C, 10 seconds)
- UL Flammability Rating: 94V-0
- Voltage Rating: 20m OHMs Max.
- Current Rating: 2 AMP per contact
- Voltage Drop: AC 500 V.
- Insulation Resistance: 1000 Mega OHMS
- **Mates with SFH21 series (See opposite page)**



PART NUMBER OPTIONS

SBH21 - N B P N - D 10 - ST - BK

SERIES _____
SBH21 = Male Box Header with Centered Polarizing Notch, .079" [2.00mm] Contact Centers

HOUSING MATERIAL _____
N = Nylon 6T

CONTACT MATERIAL _____
B = Brass

CONTACT FINISH - RoHS Compliant _____
P = Gold Flash Overall

CONTACT CENTERS _____
N = .079" [2.00mm]

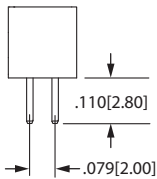
COLOR _____
BK = Black
Other Color Options Available
(Consult Factory)

TERMINATION TYPE _____
ST = Straight
RA = Right Angle
SM = Surface Mount

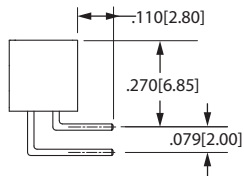
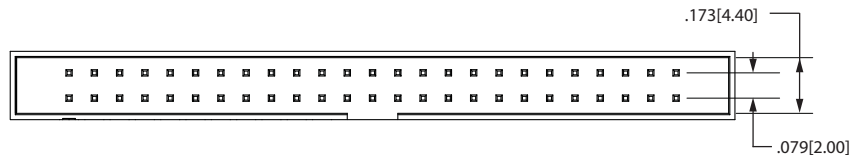
NUMBER OF CONTACT POSITIONS (Pins per Row) _____
03 thru 20, 22, 25, 27, 28, 30, 31, 32, 34

NUMBER OF ROWS _____
D = Dual Row

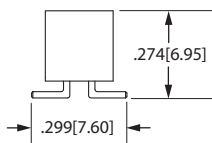
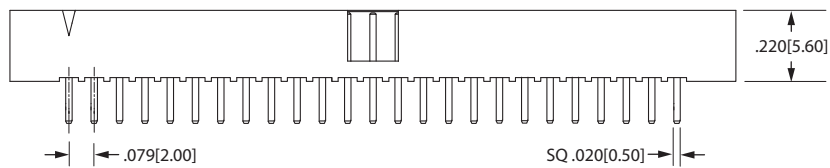
DIMENSIONS For complete drawings, go to www.sullinscorp.com or e-mail techsupport@sullinscorp.com



STRAIGHT (ST)
Example P/N: SBH21-NBPN-D20-ST-BK



RIGHT ANGLE (RA)
Example P/N: SBH21-NBPN-D20-RA-BK



SURFACE MOUNT (SM)
Example P/N: SBH21-NBPN-D20-SM-BK

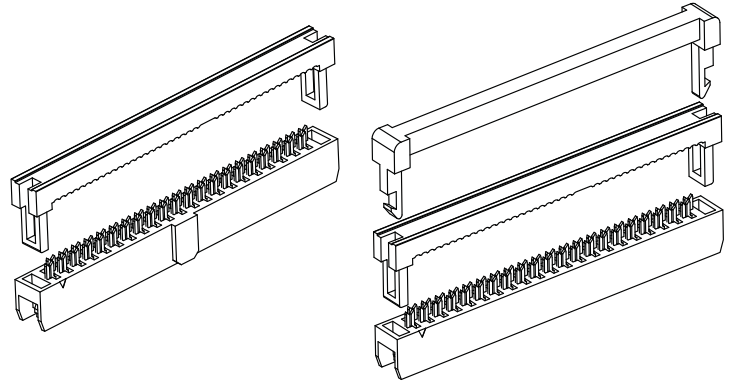




**.079" [2.00] IDC Sockets, Insulation Displacement
With or Without Strain Relief**

SPECIFICATIONS

- **Centered Polarizing Key Optional**
- Operating Temperature: - 45° C to + 85° C
- UL Flammability Rating: 94V-0
- Current Rating: 1 AMP per contact
- Dielectric Withstanding: 500 VAC
- Insulation Resistance: 1000 Mega OHMS
- **Mates with SBH21 series (See opposite page)**



PART NUMBER OPTIONS

SFH21 - P P P N - D 10 - ID - BK - M181

SERIES

- SFH21 = Female Box Header Without Strain Relief, .079" [2.00mm] Contact Centers
- SFH213 = Female Box Header With Strain Relief, .079" [2.00mm] Contact Centers

HOUSING MATERIAL

P = PBT

CONTACT MATERIAL

P = Phosphor Bronze

CONTACT FINISH - RoHS Compliant

- P = Gold Flash Overall
- E = .000100" Pure Tin, Matte, Overall
- V = Gold Flash on Contact Surface, Nickel Underplate on Tails

MODIFICATION (Omit for Standard)

M181 = Without Centered Polarizing Key

COLOR

- BK = Black
- GY = Grey

TERMINATION TYPE (Opposite Page)

ID = Insulation Displacement

NUMBER OF CONTACT POSITIONS

03 thru 13, 15, 17, 20, 22, 25, 30, 34

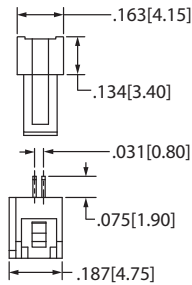
NUMBER OF ROWS

D = Dual Row

CONTACT CENTERS

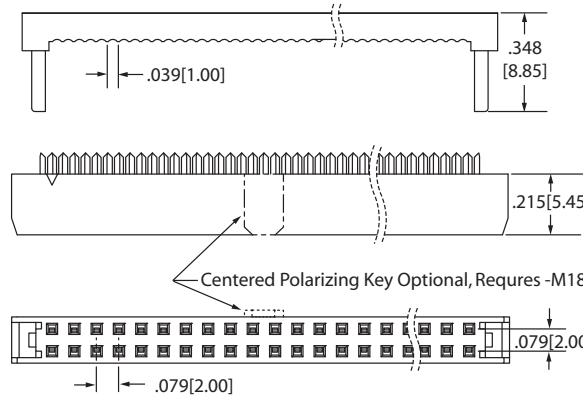
N = .079" [2.00mm]

DIMENSIONS For complete drawings, go to www.sullinscorp.com or e-mail techsupport@sullinscorp.com

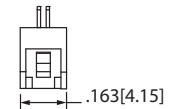


**INSULATION DISPLACEMENT (ID)
without Strain Relief,
requires SFH21**

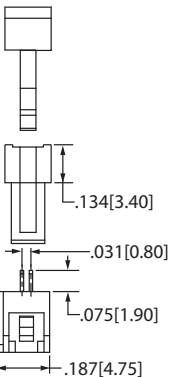
Example P/N: SFH21-PPPN-D20-ID-BK



**-M181 Modification
(No Centered
Polarizing Key)**

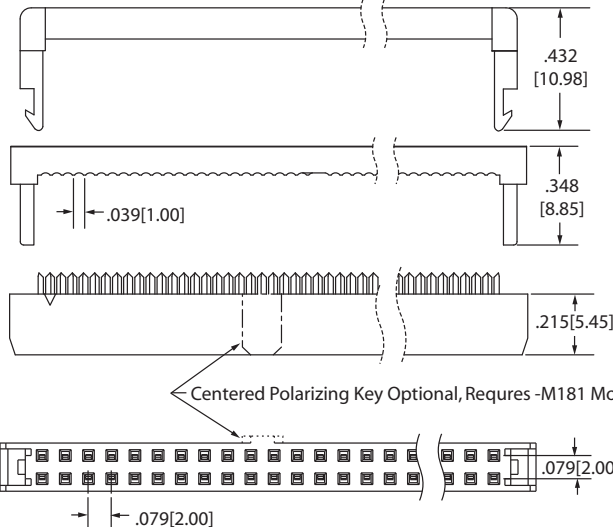


Centered Polarizing Key Optional, Requires -M181 Modification to Remove

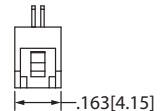


**INSULATION DISPLACEMENT (ID)
with Strain Relief,
requires SFH213**

Example P/N: SFH213-PPPN-D20-ID-BK



**-M181 Modification
(No Centered
Polarizing Key)**



Centered Polarizing Key Optional, Requires -M181 Modification to Remove