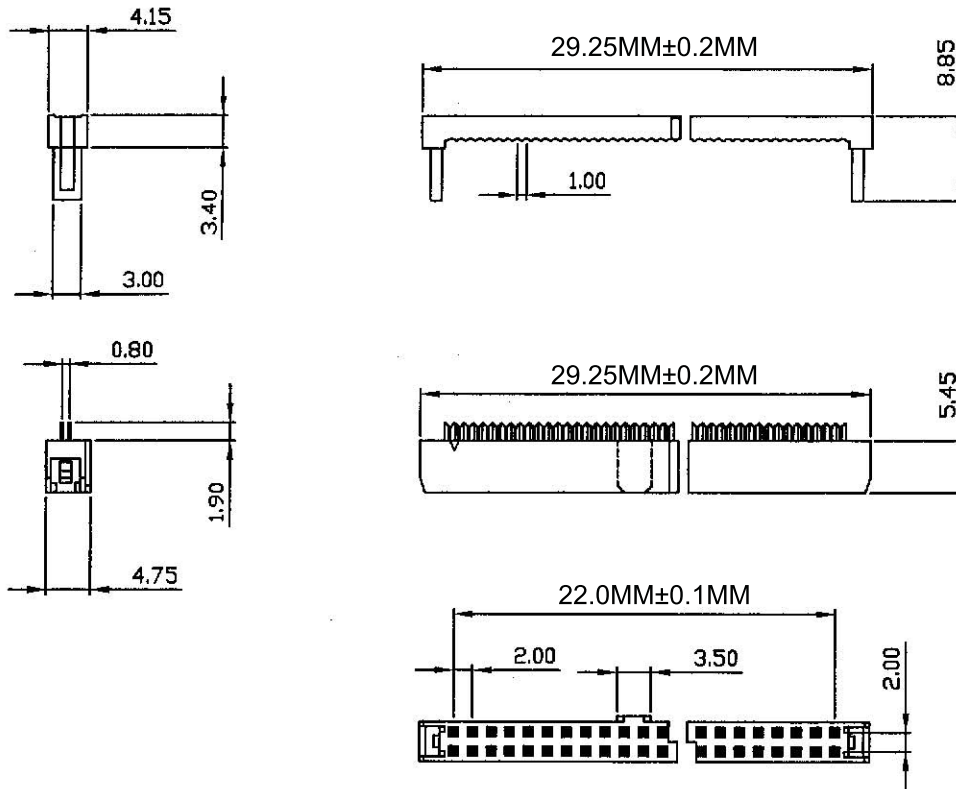


I.D.C. Socket Dual-Row, No SR

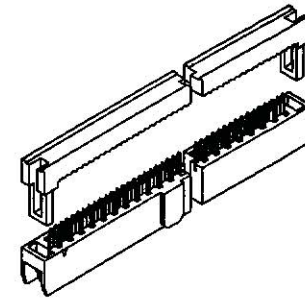


**Materials:**

- Insulator: P.B.T. 30% Glass Fiber, UL94V-0
- Contact Material: Phosphor Bronze
- Gold Flash over Nickel

**Electrical:**

- Current Rating: 1 Amp
- Insulation Resistance: 1,000MΩ Min.
- Dielectric Withstanding, 500V AC
- Operating Temperature: -55°C ~ +105°C



Unit: MM±0.3MM

⊕ = Assmann Logo

**RoHS**  
Compliant

ITEM NO

**AWP2-24-7240-T-R**

TITLE IDC Socket - Pitch 2.0MM, 24 Contacts,  
Central Guide Lug w/o Strain Relief, Gold Flash

**ASSMANN**  
Electronics, Inc.

1840 W. Drake Drive, Suite 101 - Tempe, AZ 85283  
Toll Free: 1-877-277-6266 Email: info@usa-assmann.com

THIS DRAWING IS UNPUBLISHED  
© Copyright 2010 by Assmann Electronic Components  
All International Rights Reserved