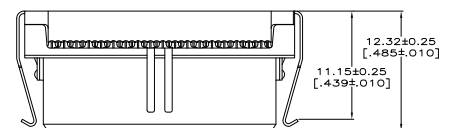
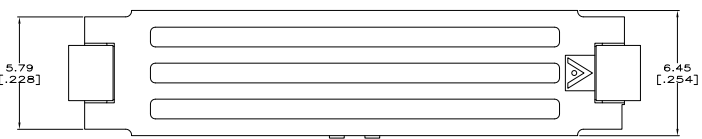
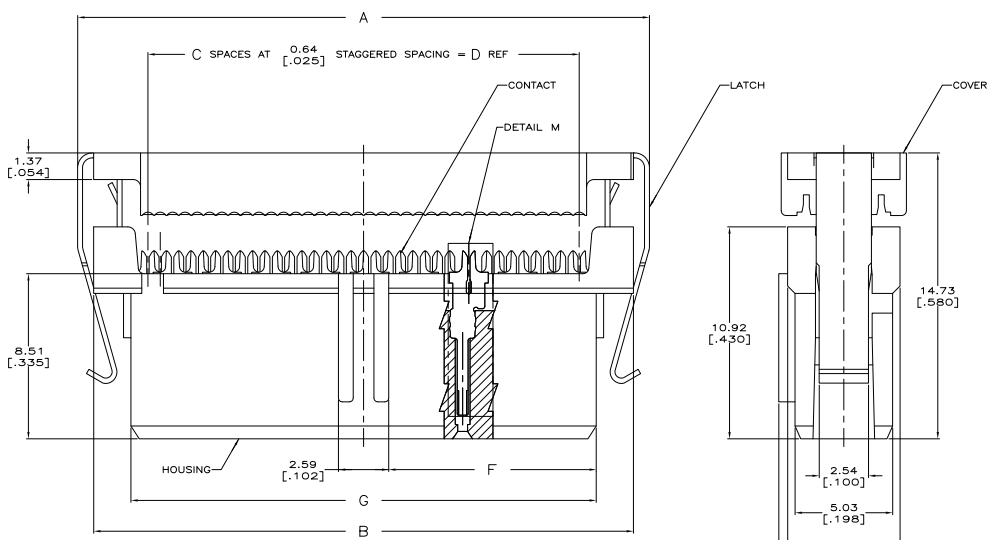


THIS DRAWING IS UNPUBLISHED  
 ALL RIGHTS RESERVED

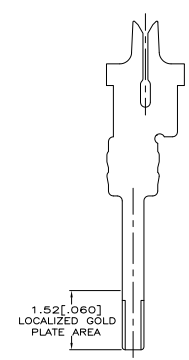
| REV | DATE | DESCRIPTION              | BY | APP'D             |
|-----|------|--------------------------|----|-------------------|
| 00  |      |                          |    |                   |
| L   |      | REVISED PER ECO-11-00926 |    | 11APR2011 CJV/DWR |



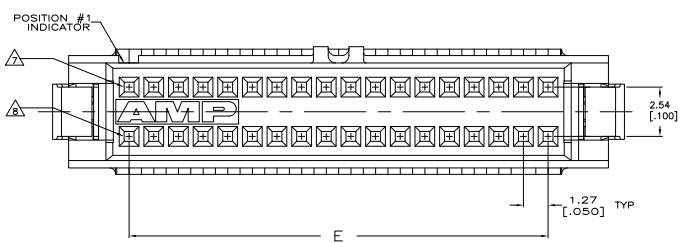
TERMINATED VIEW  
 SCALE 5:1



BEFORE TERMINATION



DETAIL M  
 SCALE 20:1  
 TYPICAL



|  |                       |                    |   |          |
|--|-----------------------|--------------------|---|----------|
| THIS DRAWING IS A CONTROLLED DOCUMENT. |                       | BY: GERRACE SUZUKI | TE Connectivity   |          |
| DATE: 11/11/10                         | APPROVED: M. WILMSLEY | DATE: 11/11/10     | AMP-LATCH™ SYSTEM 50, RECEPTACLE ASSEMBLY, 0.64(.025) PITCH |          |
| REV: 1                                 | REV: 1                | REV: 1             | REV: 1  | REV: 1   |
| REV: 2                                 | REV: 2                | REV: 2             | REV: 2  | REV: 2   |
| REV: 3                                 | REV: 3                | REV: 3             | REV: 3  | REV: 3   |
| REV: 4                                 | REV: 4                | REV: 4             | REV: 4  | REV: 4   |
| REV: 5                                 | REV: 5                | REV: 5             | REV: 5  | REV: 5   |
| REV: 6                                 | REV: 6                | REV: 6             | REV: 6  | REV: 6   |
| REV: 7                                 | REV: 7                | REV: 7             | REV: 7  | REV: 7   |
| REV: 8                                 | REV: 8                | REV: 8             | REV: 8  | REV: 8   |
| REV: 9                                 | REV: 9                | REV: 9             | REV: 9  | REV: 9   |
| REV: 10                                | REV: 10               | REV: 10            | REV: 10   | REV: 10  |
| REV: 11                                | REV: 11               | REV: 11            | REV: 11   | REV: 11  |
| REV: 12                                | REV: 12               | REV: 12            | REV: 12   | REV: 12  |
| REV: 13                                | REV: 13               | REV: 13            | REV: 13   | REV: 13  |
| REV: 14                                | REV: 14               | REV: 14            | REV: 14   | REV: 14  |
| REV: 15                                | REV: 15               | REV: 15            | REV: 15   | REV: 15  |
| REV: 16                                | REV: 16               | REV: 16            | REV: 16   | REV: 16  |
| REV: 17                                | REV: 17               | REV: 17            | REV: 17   | REV: 17  |
| REV: 18                                | REV: 18               | REV: 18            | REV: 18   | REV: 18  |
| REV: 19                                | REV: 19               | REV: 19            | REV: 19   | REV: 19  |
| REV: 20                                | REV: 20               | REV: 20            | REV: 20   | REV: 20  |
| REV: 21                                | REV: 21               | REV: 21            | REV: 21   | REV: 21  |
| REV: 22                                | REV: 22               | REV: 22            | REV: 22   | REV: 22  |
| REV: 23                                | REV: 23               | REV: 23            | REV: 23   | REV: 23  |
| REV: 24                                | REV: 24               | REV: 24            | REV: 24   | REV: 24  |
| REV: 25                                | REV: 25               | REV: 25            | REV: 25   | REV: 25  |
| REV: 26                                | REV: 26               | REV: 26            | REV: 26   | REV: 26  |
| REV: 27                                | REV: 27               | REV: 27            | REV: 27   | REV: 27  |
| REV: 28                                | REV: 28               | REV: 28            | REV: 28   | REV: 28  |
| REV: 29                                | REV: 29               | REV: 29            | REV: 29   | REV: 29  |
| REV: 30                                | REV: 30               | REV: 30            | REV: 30   | REV: 30  |
| REV: 31                                | REV: 31               | REV: 31            | REV: 31   | REV: 31  |
| REV: 32                                | REV: 32               | REV: 32            | REV: 32   | REV: 32  |
| REV: 33                                | REV: 33               | REV: 33            | REV: 33   | REV: 33  |
| REV: 34                                | REV: 34               | REV: 34            | REV: 34   | REV: 34  |
| REV: 35                                | REV: 35               | REV: 35            | REV: 35   | REV: 35  |
| REV: 36                                | REV: 36               | REV: 36            | REV: 36   | REV: 36  |
| REV: 37                                | REV: 37               | REV: 37            | REV: 37   | REV: 37  |
| REV: 38                                | REV: 38               | REV: 38            | REV: 38   | REV: 38  |
| REV: 39                                | REV: 39               | REV: 39            | REV: 39   | REV: 39  |
| REV: 40                                | REV: 40               | REV: 40            | REV: 40   | REV: 40  |
| REV: 41                                | REV: 41               | REV: 41            | REV: 41   | REV: 41  |
| REV: 42                                | REV: 42               | REV: 42            | REV: 42   | REV: 42  |
| REV: 43                                | REV: 43               | REV: 43            | REV: 43   | REV: 43  |
| REV: 44                                | REV: 44               | REV: 44            | REV: 44   | REV: 44  |
| REV: 45                                | REV: 45               | REV: 45            | REV: 45   | REV: 45  |
| REV: 46                                | REV: 46               | REV: 46            | REV: 46   | REV: 46  |
| REV: 47                                | REV: 47               | REV: 47            | REV: 47   | REV: 47  |
| REV: 48                                | REV: 48               | REV: 48            | REV: 48   | REV: 48  |
| REV: 49                                | REV: 49               | REV: 49            | REV: 49   | REV: 49  |
| REV: 50                                | REV: 50               | REV: 50            | REV: 50   | REV: 50  |
| REV: 51                                | REV: 51               | REV: 51            | REV: 51   | REV: 51  |
| REV: 52                                | REV: 52               | REV: 52            | REV: 52   | REV: 52  |
| REV: 53                                | REV: 53               | REV: 53            | REV: 53   | REV: 53  |
| REV: 54                                | REV: 54               | REV: 54            | REV: 54   | REV: 54  |
| REV: 55                                | REV: 55               | REV: 55            | REV: 55   | REV: 55  |
| REV: 56                                | REV: 56               | REV: 56            | REV: 56   | REV: 56  |
| REV: 57                                | REV: 57               | REV: 57            | REV: 57   | REV: 57  |
| REV: 58                                | REV: 58               | REV: 58            | REV: 58   | REV: 58  |
| REV: 59                                | REV: 59               | REV: 59            | REV: 59   | REV: 59  |
| REV: 60                                | REV: 60               | REV: 60            | REV: 60   | REV: 60  |
| REV: 61                                | REV: 61               | REV: 61            | REV: 61   | REV: 61  |
| REV: 62                                | REV: 62               | REV: 62            | REV: 62   | REV: 62  |
| REV: 63                                | REV: 63               | REV: 63            | REV: 63   | REV: 63  |
| REV: 64                                | REV: 64               | REV: 64            | REV: 64   | REV: 64  |
| REV: 65                                | REV: 65               | REV: 65            | REV: 65   | REV: 65  |
| REV: 66                                | REV: 66               | REV: 66            | REV: 66   | REV: 66  |
| REV: 67                                | REV: 67               | REV: 67            | REV: 67   | REV: 67  |
| REV: 68                                | REV: 68               | REV: 68            | REV: 68   | REV: 68  |
| REV: 69                                | REV: 69               | REV: 69            | REV: 69   | REV: 69  |
| REV: 70                                | REV: 70               | REV: 70            | REV: 70   | REV: 70  |
| REV: 71                                | REV: 71               | REV: 71            | REV: 71   | REV: 71  |
| REV: 72                                | REV: 72               | REV: 72            | REV: 72   | REV: 72  |
| REV: 73                                | REV: 73               | REV: 73            | REV: 73   | REV: 73  |
| REV: 74                                | REV: 74               | REV: 74            | REV: 74   | REV: 74  |
| REV: 75                                | REV: 75               | REV: 75            | REV: 75   | REV: 75  |
| REV: 76                                | REV: 76               | REV: 76            | REV: 76   | REV: 76  |
| REV: 77                                | REV: 77               | REV: 77            | REV: 77   | REV: 77  |
| REV: 78                                | REV: 78               | REV: 78            | REV: 78   | REV: 78  |
| REV: 79                                | REV: 79               | REV: 79            | REV: 79   | REV: 79  |
| REV: 80                                | REV: 80               | REV: 80            | REV: 80   | REV: 80  |
| REV: 81                                | REV: 81               | REV: 81            | REV: 81   | REV: 81  |
| REV: 82                                | REV: 82               | REV: 82            | REV: 82   | REV: 82  |
| REV: 83                                | REV: 83               | REV: 83            | REV: 83   | REV: 83  |
| REV: 84                                | REV: 84               | REV: 84            | REV: 84   | REV: 84  |
| REV: 85                                | REV: 85               | REV: 85            | REV: 85   | REV: 85  |
| REV: 86                                | REV: 86               | REV: 86            | REV: 86   | REV: 86  |
| REV: 87                                | REV: 87               | REV: 87            | REV: 87   | REV: 87  |
| REV: 88                                | REV: 88               | REV: 88            | REV: 88   | REV: 88  |
| REV: 89                                | REV: 89               | REV: 89            | REV: 89   | REV: 89  |
| REV: 90                                | REV: 90               | REV: 90            | REV: 90   | REV: 90  |
| REV: 91                                | REV: 91               | REV: 91            | REV: 91   | REV: 91  |
| REV: 92                                | REV: 92               | REV: 92            | REV: 92   | REV: 92  |
| REV: 93                                | REV: 93               | REV: 93            | REV: 93   | REV: 93  |
| REV: 94                                | REV: 94               | REV: 94            | REV: 94   | REV: 94  |
| REV: 95                                | REV: 95               | REV: 95            | REV: 95   | REV: 95  |
| REV: 96                                | REV: 96               | REV: 96            | REV: 96   | REV: 96  |
| REV: 97                                | REV: 97               | REV: 97            | REV: 97   | REV: 97  |
| REV: 98                                | REV: 98               | REV: 98            | REV: 98   | REV: 98  |
| REV: 99                                | REV: 99               | REV: 99            | REV: 99   | REV: 99  |
| REV: 100                               | REV: 100              | REV: 100           | REV: 100  | REV: 100 |

488 (2/11)

THIS DRAWING IS UNPUBLISHED  
 ALL RIGHTS RESERVED

| REV | DATE | DESCRIPTION | BY | CHK | APP |
|-----|------|-------------|----|-----|-----|
| 00  |      | SEE SHEET 1 |    |     |     |

- △ HOUSING MATERIAL: UL RATED 94V-0 LCP THERMOPLASTIC, COLOR-BLACK.
- △ COVER MATERIAL: UL RATED 94V-0 POLYESTER OR POLYAMIDE MOLDING COMPOUND, COLOR-BLACK.
- △ CONTACT MATERIAL: COPPER ALLOY.
- △ LATCH MATERIAL: STAINLESS STEEL.
- △ CONTACT FINISH: 0.00076 [0.00030] MIN THICK GOLD PLATE ON LOCALIZED GOLD PLATE AREA, 0.00254-0.00508 [0.00100-0.00200] THICK BRIGHT TIN OR BRIGHT TIN-LEAD ON IDC END, ALL OVER 0.00127 [0.00050] MIN THICK NICKEL PLATE.
- 5. MATES WITH 0.38 [0.15] SQUARE OR ROUND POSTS, 3.18±0.10 [1.25±0.04] LONG, ON 1.27 [0.50] X 2.54 [1.00] GRID.
- △ CONTACT FINISH: 0.00076 [0.00030] MIN THICK GOLD PLATE ON LOCALIZED GOLD PLATE AREA, 0.00254-0.00508 [0.00100-0.00200] THICK TIN ON IDC END, ALL OVER 0.00127 [0.00050] MIN THICK NICKEL PLATE.
- △ POSITION 1: ALL ODD NUMBERED POSITIONS IN THIS ROW.
- △ POSITION 2: ALL EVEN NUMBERED POSITIONS IN THIS ROW.

|               |         |         |         |         |    |         |         |      |            |
|---------------|---------|---------|---------|---------|----|---------|---------|------|------------|
| △             | 44.30   | 20.85   | 41.91   | 42.54   | 67 | 48.13   | 49.78   | 68   | 3-111196-4 |
| △             | [1.744] | [.821]  | [1.650] | [1.675] |    | [1.895] | [1.960] |      |            |
| △             | 51.92   | 24.66   | 49.53   | 50.16   | 79 | 55.75   | 57.40   | 80   | 3-111196-3 |
| △             | [2.044] | [.971]  | [1.950] | [1.975] |    | [2.195] | [2.260] |      |            |
| △             | 41.76   | 19.58   | 39.37   | 40.00   | 63 | 45.59   | 47.24   | 64   | 3-111196-2 |
| △             | [1.644] | [.771]  | [1.550] | [1.575] |    | [1.795] | [1.860] |      |            |
| △             | 29.06   | 13.23   | 26.67   | 27.30   | 43 | 32.89   | 34.54   | 44   | 3-111196-1 |
| △             | [1.144] | [.521]  | [1.050] | [1.075] |    | [1.295] | [1.360] |      |            |
| △             | 22.71   | 10.06   | 20.32   | 20.96   | 33 | 26.54   | 28.19   | 34   | 3-111196-0 |
| △             | [.894]  | [.396]  | [.800]  | [.825]  |    | [1.045] | [1.110] |      |            |
| △             | 17.63   | 7.52    | 15.24   | 15.88   | 25 | 21.46   | 23.11   | 26   | 2-111196-9 |
| △             | [.694]  | [.296]  | [.600]  | [.625]  |    | [.845]  | [.910]  |      |            |
| △             | 16.36   | 6.88    | 13.97   | 14.60   | 23 | 20.19   | 21.84   | 24   | 2-111196-8 |
| △             | [.644]  | [.271]  | [.550]  | [.575]  |    | [.795]  | [.860]  |      |            |
| △             | 11.28   | 4.34    | 8.89    | 9.52    | 15 | 15.11   | 16.76   | 16   | 2-111196-7 |
| △             | [.444]  | [.171]  | [.350]  | [.375]  |    | [.595]  | [.660]  |      |            |
| △             | 10.01   | 3.71    | 7.62    | 8.26    | 13 | 13.84   | 15.49   | 14   | 2-111196-6 |
| △             | [.394]  | [.146]  | [.300]  | [.325]  |    | [.545]  | [.610]  |      |            |
| △             | 7.47    | 2.44    | 5.08    | 5.72    | 9  | 11.30   | 12.95   | 10   | 2-111196-5 |
| △             | [.294]  | [.096]  | [.200]  | [.225]  |    | [.445]  | [.510]  |      |            |
| △             | 64.62   | 31.01   | 62.23   | 62.86   | 99 | 68.45   | 70.10   | 100  | 2-111196-4 |
| △             | [2.544] | [1.221] | [2.450] | [2.475] |    | [2.695] | [2.760] |      |            |
| △             | 46.84   | 22.12   | 44.45   | 45.08   | 71 | 50.67   | 52.32   | 72   | 2-111196-3 |
| △             | [1.844] | [.871]  | [1.750] | [1.775] |    | [1.995] | [2.060] |      |            |
| △             | 39.22   | 18.31   | 36.83   | 37.46   | 59 | 43.05   | 44.70   | 60   | 2-111196-2 |
| △             | [1.544] | [.721]  | [1.450] | [1.475] |    | [1.695] | [1.760] |      |            |
| △             | 32.87   | 15.14   | 30.48   | 31.12   | 49 | 36.70   | 38.35   | 50   | 2-111196-1 |
| △             | [1.294] | [.596]  | [1.200] | [1.225] |    | [1.445] | [1.510] |      |            |
| △             | 26.52   | 11.96   | 24.13   | 24.76   | 39 | 30.35   | 32.00   | 40   | 2-111196-0 |
| △             | [1.044] | [.471]  | [.950]  | [.975]  |    | [1.195] | [1.260] |      |            |
| △             | 20.17   | 8.79    | 17.78   | 18.42   | 29 | 24.00   | 25.65   | 30   | 1-111196-9 |
| △             | [.794]  | [.346]  | [.700]  | [.725]  |    | [.945]  | [1.010] |      |            |
| △             | 13.82   | 5.61    | 11.43   | 12.06   | 19 | 17.65   | 19.30   | 20   | 1-111196-8 |
| △             | [.544]  | [.221]  | [.450]  | [.475]  |    | [.695]  | [.760]  |      |            |
| OBSOLETE      | 44.30   | 20.85   | 41.91   | 42.54   | 67 | 48.13   | 49.78   | 68   | 1-111196-7 |
| △             | [1.744] | [.821]  | [1.650] | [1.675] |    | [1.895] | [1.960] |      |            |
| △             | 64.62   | 31.01   | 62.23   | 62.86   | 99 | 68.45   | 70.10   | 100  | 1-111196-6 |
| △             | [2.544] | [1.221] | [2.450] | [2.475] |    | [2.695] | [2.760] |      |            |
| △             | 51.92   | 24.66   | 49.53   | 50.16   | 79 | 55.75   | 57.40   | 80   | 1-111196-5 |
| △             | [2.044] | [.971]  | [1.950] | [1.975] |    | [2.195] | [2.260] |      |            |
| OBSOLETE      | 46.84   | 22.12   | 44.45   | 45.08   | 71 | 50.67   | 52.32   | 72   | 1-111196-4 |
| △             | [1.844] | [.871]  | [1.750] | [1.775] |    | [1.995] | [2.060] |      |            |
| △             | 39.22   | 18.31   | 36.83   | 37.46   | 59 | 43.05   | 44.70   | 60   | 1-111196-3 |
| △             | [1.544] | [.721]  | [1.450] | [1.475] |    | [1.695] | [1.760] |      |            |
| △             | 32.87   | 15.14   | 30.48   | 31.12   | 49 | 36.70   | 38.35   | 50   | 1-111196-2 |
| △             | [1.294] | [.596]  | [1.200] | [1.225] |    | [1.445] | [1.510] |      |            |
| △             | 29.06   | 13.23   | 26.67   | 27.30   | 43 | 32.89   | 34.54   | 44   | 1-111196-1 |
| △             | [1.144] | [.521]  | [1.050] | [1.075] |    | [1.295] | [1.360] |      |            |
| △             | 26.52   | 11.96   | 24.13   | 24.76   | 39 | 30.35   | 32.00   | 40   | 111196-9   |
| △             | [1.044] | [.471]  | [.950]  | [.975]  |    | [1.195] | [1.260] |      |            |
| OBSOLETE      | 22.71   | 10.06   | 20.32   | 20.96   | 33 | 26.54   | 28.19   | 34   | 111196-8   |
| △             | [.894]  | [.396]  | [.800]  | [.825]  |    | [1.045] | [1.110] |      |            |
| △             | 20.17   | 8.79    | 17.78   | 18.42   | 29 | 24.00   | 25.65   | 30   | 111196-7   |
| △             | [.794]  | [.346]  | [.700]  | [.725]  |    | [.945]  | [1.010] |      |            |
| △             | 17.63   | 7.52    | 15.24   | 15.88   | 25 | 21.46   | 23.11   | 26   | 111196-6   |
| △             | [.694]  | [.296]  | [.600]  | [.625]  |    | [.845]  | [.910]  |      |            |
| △             | 16.36   | 6.88    | 13.97   | 14.60   | 23 | 20.19   | 21.84   | 24   | 111196-5   |
| △             | [.644]  | [.271]  | [.550]  | [.575]  |    | [.795]  | [.860]  |      |            |
| △             | 13.82   | 5.61    | 11.43   | 12.06   | 19 | 17.65   | 19.30   | 20   | 111196-4   |
| △             | [.544]  | [.221]  | [.450]  | [.475]  |    | [.695]  | [.760]  |      |            |
| OBSOLETE      | 11.28   | 4.34    | 8.89    | 9.52    | 15 | 15.11   | 16.76   | 16   | 111196-3   |
| △             | [.444]  | [.171]  | [.350]  | [.375]  |    | [.595]  | [.660]  |      |            |
| OBSOLETE      | 10.01   | 3.71    | 7.62    | 8.26    | 13 | 13.84   | 15.49   | 14   | 111196-2   |
| △             | [.394]  | [.146]  | [.300]  | [.325]  |    | [.545]  | [.610]  |      |            |
| △             | 7.47    | 2.44    | 5.08    | 5.72    | 9  | 11.30   | 12.95   | 10   | 111196-1   |
| △             | [.294]  | [.096]  | [.200]  | [.225]  |    | [.445]  | [.510]  |      |            |
| CONTACT PATCH |         |         |         |         |    |         |         |      |            |
|               | G       | F       | E       | D       | C  | B       | A       | POSN |            |

THIS DRAWING IS A CONTROLLED DOCUMENT. SEE THE SCHEMATIC/PCB LAYOUT FOR THE BLUETOOTH SYSTEM

TE Connectivity

AMP-LATCH SYSTEM 50, RECEPTACLE ASSEMBLY, 0.64(.025) . IDC

PROJECT FILE: 108-1109

DATE: 11-25-2029

REV: 1

REVISED TO: 100779

CUSTOMER DRAWING

REV: 10:1 SHEET 2 OF 2