

## GENERAL DESCRIPTION

AVX offers the 12 way mini I/O connector as a standard product. The fixed SMT socket is designed to be mounted on a PCB and housed within a portable device. The plug is designed for cable termination with options of single and double sided contacts. Parts can be supplied as connectors only for sub contract termination, or with a custom overmold cover. The socket connector houses 12 contacts in a single row on 0.50mm pitch.

## APPLICATIONS

- Medical Electronics
- Cellular Phones
- Industrial Modules
- Hand Held Devices

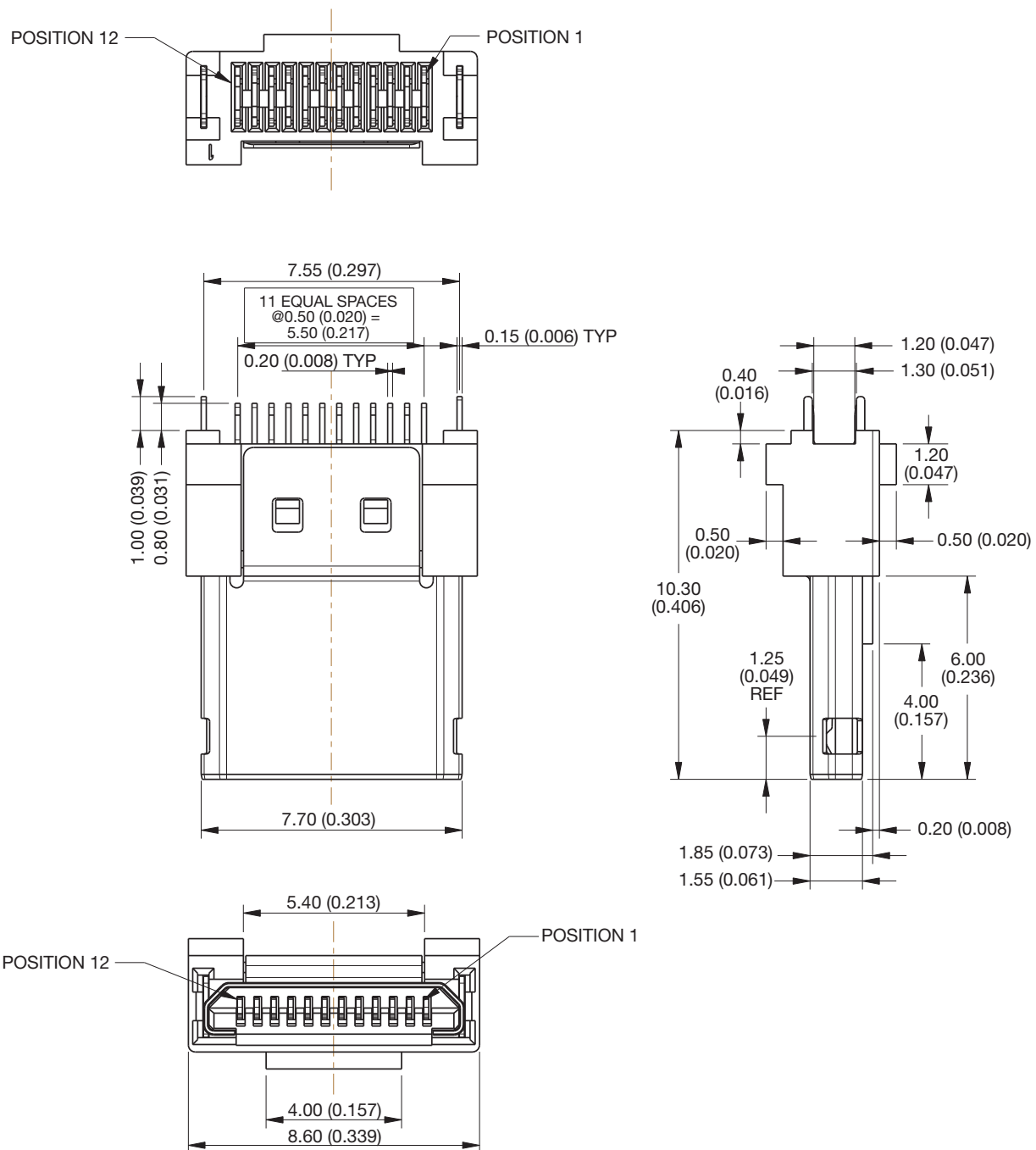
## KEY FEATURES AND BENEFITS

- No latching required due to the click design of the contacts.
- Optional customization of the overmold cover.
- Compact size to optimize PCB real estate.
- Metal outer cover provides integrated PCB location and solder tab.
- Positive alignment and orientation of the plug and socket.

# 9257 Mini I/O Connector



## 9257 STANDARD 12 WAY MINI I/O PLUG



### HOW TO ORDER

**10**

**Prefix**

10 = Plug Connector

**9257**

**Series**

**012**

**No of Ways**

12 = 012

**101**

**Contacts**

101 = Solder Tail

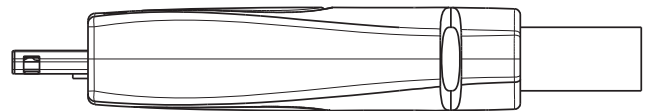
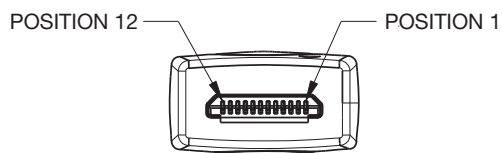
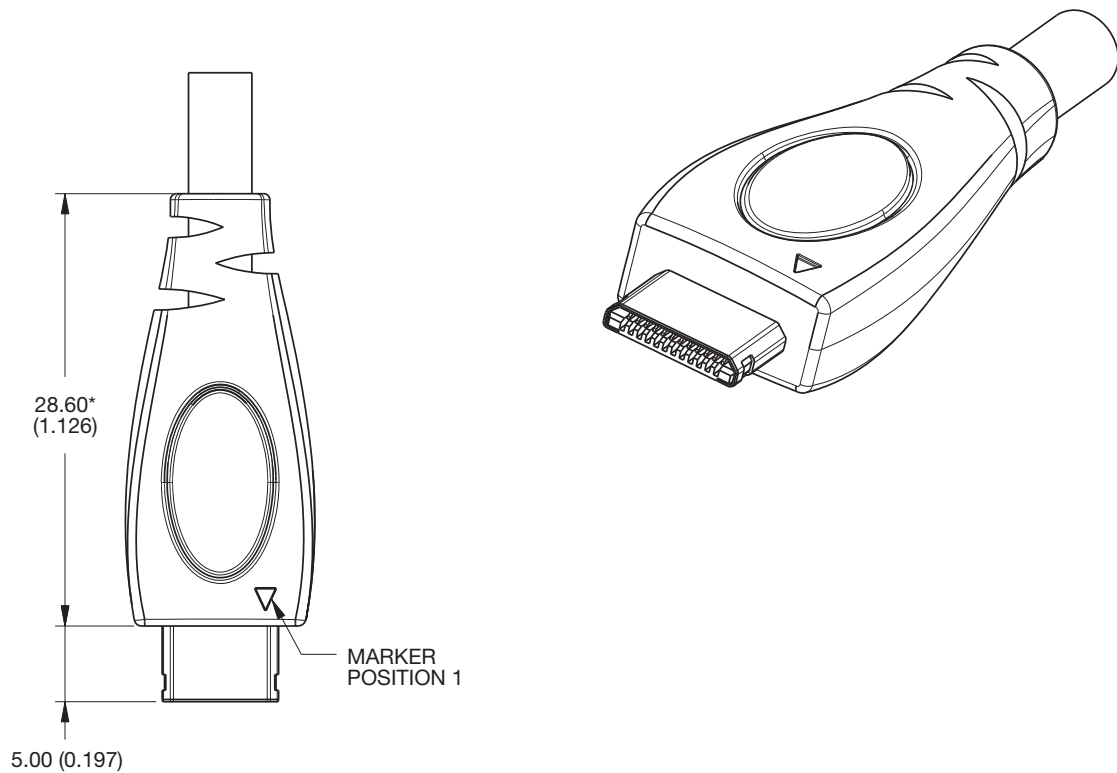
**006**

**Plating Option**

006 = 0.25µm Gold over Nickel



## SUGGESTED OVERMOLDING FOR PLUG CONNECTOR

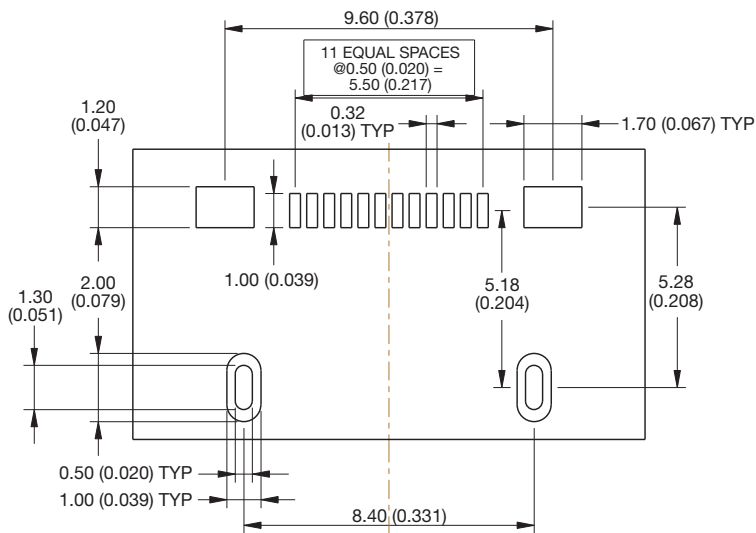
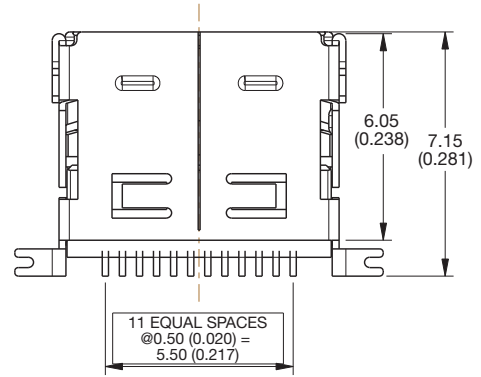
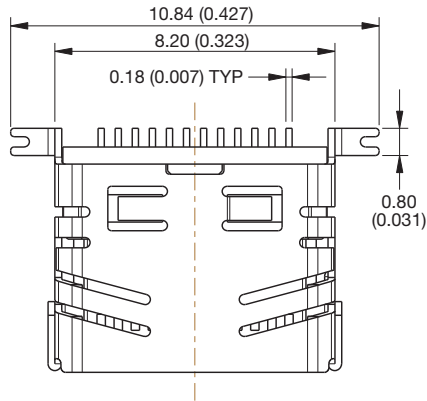


DIMENSION MARKED WITH A \* ARE  
VARIABLE DIMENSION TO SUIT  
CUSTOMER DESIGN AND APPLICATION

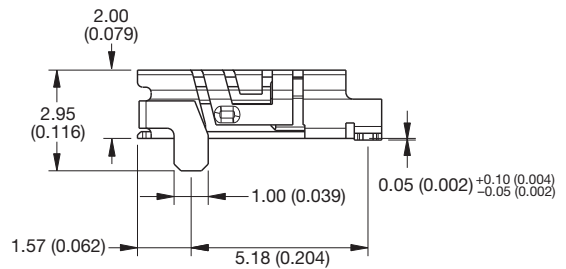
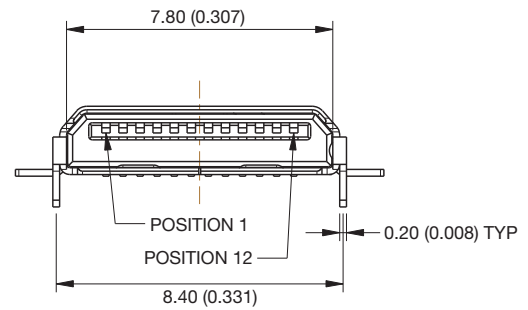
# 9257 Mini I/O Connector



## 9257 STANDARD 12 WAY MINI I/O SOCKET



**SUGGESTED PCB LAYOUT**



### HOW TO ORDER

**20**  
Prefix  
20 = Socket Connector

**9257**  
Series

**012**  
No of Ways  
12 = 012

**101**  
Contacts  
101 = SMT Termination

**01**  
Solder Bracket  
01 = Solder Bracket with location pegs

**6**  
Plating Option  
6 = 0.25µm Gold over Nickel

