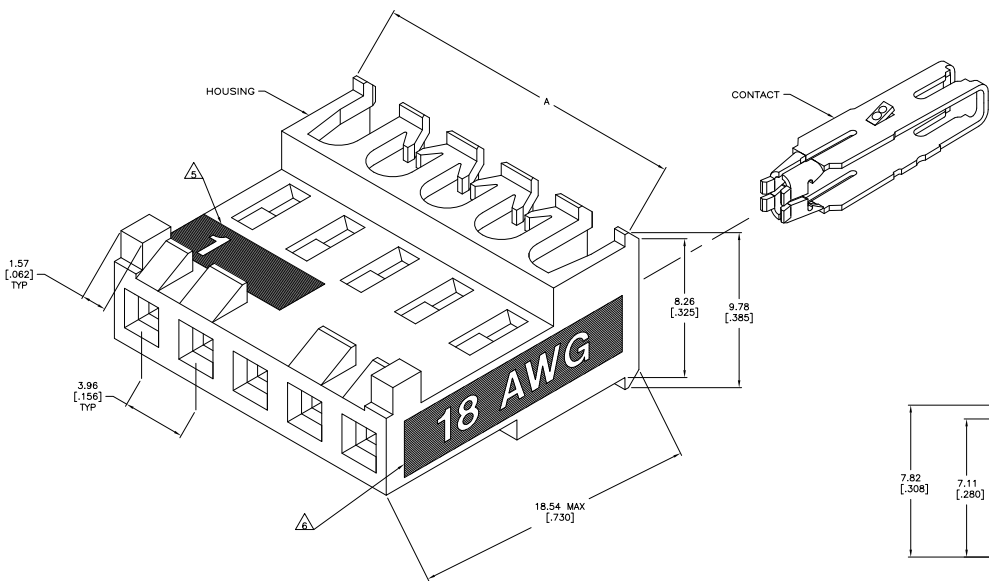
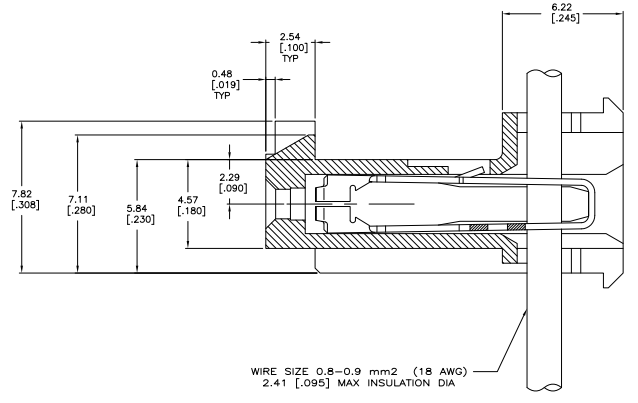


THIS DRAWING IS UNPUBLISHED
 ALL RIGHTS RESERVED

| REV | DATE | DESCRIPTION | BY | CHK |
|-----|------|---------------------------|--------|--------|
| 00 | | | | |
| E2 | | REVISED PER EDD-11-004917 | 11MM11 | RK HMR |



- OPERATING TEMPERATURE: -55°C TO 105°C.
- MATERIAL: HOUSING, NYLON 6/6, UL 94V-0, BLACK CONTACT, 0.30 [0.012] THICK COPPER ALLOY
- FINISH: BRIGHT TIN-LEAD PLATE 0.00203-0.00508 [0.00080-0.00200] THICK OR MATTE WHISKER MITIGATED TIN 0.00203 [0.00080] MIN THICKNESS OVER NICKEL UNDERPLATE.
- LUBRICATED WITH AMP ANTI-FRETTING LUBRICANT.
- IDENTIFICATION NUMBER FOR FIRST CIRCUIT.
- WIRE GAUGE IDENTIFICATION
- DIMENSIONS IN BRACKETS ARE IN INCHES.
- CONTACT MUST ACCEPT 1.14±0.03 [0.045±0.01] SQUARE POST AND REMAINED LOCKED IN POSITION.
- OBsolete PARTS: OBSOLETE CIS STREAMLINING PER D.RENAUD/D.SINISI



WIRE SIZE 0.8-0.9 mm² (18 AWG)
 2.41 [0.095] MAX INSULATION DIA

| | | | | |
|--------|------------|-------------|------------|------------|
| TIN | 47.55±0.30 | 1.872±0.012 | 12 | 4-644387-2 |
| TIN | 43.59±0.30 | 1.716±0.012 | 11 | 4-644387-1 |
| TIN | 39.62±0.30 | 1.560±0.012 | 10 | 4-644387-0 |
| TIN | 35.66±0.30 | 1.404±0.012 | 9 | 3-644387-9 |
| TIN | 31.70±0.30 | 1.248±0.012 | 8 | 3-644387-8 |
| TIN | 27.74±0.30 | 1.092±0.012 | 7 | 3-644387-7 |
| TIN | 23.77±0.30 | 0.936±0.012 | 6 | 3-644387-6 |
| TIN | 19.81±0.30 | 0.780±0.012 | 5 | 3-644387-5 |
| TIN | 15.85±0.15 | 0.624±0.006 | 4 | 3-644387-4 |
| TIN | 11.89±0.15 | 0.468±0.006 | 3 | 3-644387-3 |
| TIN | 7.92±0.15 | 0.312±0.006 | 2 | 3-644387-2 |
| FINISH | A | | NO OF CKTS | PART NO |

| | | | | |
|--------------------------------|------------|-------------|------------|------------|
| SUPERCEDED TIN-LEAD | 47.55±0.30 | 1.872±0.012 | 12 | 1-644387-2 |
| SUPERCEDED TIN-LEAD | 43.59±0.30 | 1.716±0.012 | 11 | 1-644387-1 |
| TIN-LEAD | 39.62±0.30 | 1.560±0.012 | 10 | 1-644387-0 |
| TIN-LEAD | 35.66±0.30 | 1.404±0.012 | 9 | 644387-9 |
| TIN-LEAD | 31.70±0.30 | 1.248±0.012 | 8 | 644387-8 |
| TIN-LEAD | 27.74±0.30 | 1.092±0.012 | 7 | 644387-7 |
| TIN-LEAD | 23.77±0.30 | 0.936±0.012 | 6 | 644387-6 |
| SUPERCEDED TIN-LEAD | 19.81±0.30 | 0.780±0.012 | 5 | 644387-5 |
| TIN-LEAD | 15.85±0.15 | 0.624±0.006 | 4 | 644387-4 |
| TIN-LEAD | 11.89±0.15 | 0.468±0.006 | 3 | 644387-3 |
| TIN-LEAD | 7.92±0.15 | 0.312±0.006 | 2 | 644387-2 |
| FINISH | A | | NO OF CKTS | PART NO |



THIS DRAWING IS A CONTROLLED DOCUMENT.

| | | | |
|-------|----------|---------|----------|
| DATE | 108-1219 | REVISED | |
| BY | 114-1048 | DATE | 11-01-11 |
| CHKD | | BY | |
| APP'D | | DATE | |

TE Connectivity
 MTA-156 CONNECTOR ASSEMBLY, QUAD, 18 AWG, FEED THRU, WITH LOCKING RAMP, WITH POLARIZING TABS

CUSTOMER DRAWING: A100779 (G=644387)