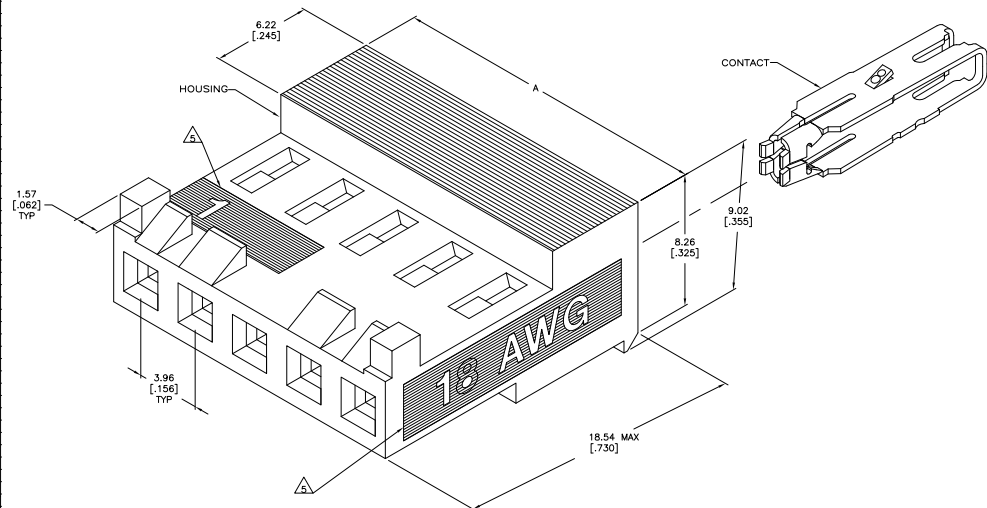
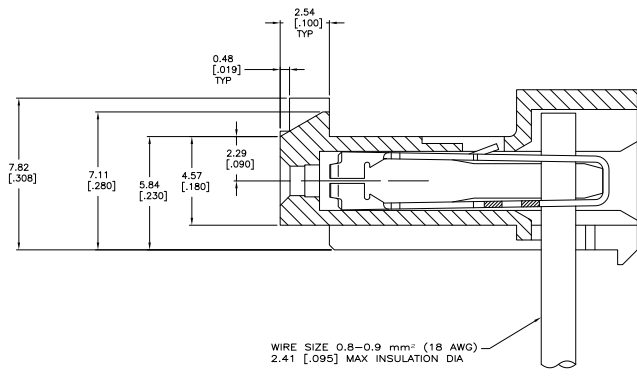


THIS DRAWING IS UNPUBLISHED
 ALL RIGHTS RESERVED

REV	DATE	DESCRIPTION	BY	CHK
00				
F2		REVISED PER EDD-11-004917	11MR11	RK HMR



1. OPERATING TEMPERATURE: -55°C TO 105°C
- △ MATERIAL: HOUSING, NYLON 6/6, UL 94V-0, BLACK CONTACT, 0.30 [.012] THICK COPPER ALLOY
- △ FINISH: BRIGHT TIN-LEAD PLATE 0.00203-0.00508 [.000080-.000200] THICK OR MATTE WHISKER MITIGATED TIN 0.00203 [.000080] MIN THICKNESS OVER NICKEL UNDERPLATE.
4. LUBRICATED WITH AMP ANTI-FRETTING LUBRICANT.
- △ IDENTIFICATION NUMBER FOR FIRST CIRCUIT.
- △ WIRE GAUGE IDENTIFICATION
7. DIMENSIONS IN BRACKETS ARE IN INCHES.
8. CONTACT MUST ACCEPT 1.14±0.03 [.045±.001] SQUARE POST AND REMAINED LOCKED IN POSITION.
- △ OBSOLETE PARTS: OBSOLETE CIS STREAMLINING PER D.RENAUD/D.SINISI



TIN	47.55±0.30	[1.872±.012]	12	4-644381-2	
TIN	43.59±0.30	[1.716±.012]	11	4-644381-1	
TIN	39.62±0.30	[1.560±.012]	10	4-644381-0	
TIN	35.66±0.30	[1.404±.012]	9	3-644381-9	
TIN	31.70±0.30	[1.248±.012]	8	3-644381-8	
TIN	27.74±0.30	[1.092±.012]	7	3-644381-7	
TIN	23.77±0.30	[.936±.012]	6	3-644381-6	
TIN	19.81±0.30	[.780±.012]	5	3-644381-5	
TIN	15.85±0.15	[.624±.006]	4	3-644381-4	
TIN	11.89±0.15	[.468±.006]	3	3-644381-3	
TIN	7.92±0.15	[.312±.006]	2	3-644381-2	
TIN-LEAD	47.55±0.30	[1.872±.012]	12	1-644381-2	
TIN-LEAD	43.59±0.30	[1.716±.012]	11	1-644381-1	
△ SUPERCEDED	TIN-LEAD	39.62±0.30	[1.560±.012]	10	1-644381-0
△ SUPERCEDED	TIN-LEAD	35.66±0.30	[1.404±.012]	9	644381-9
△ SUPERCEDED	TIN-LEAD	31.70±0.30	[1.248±.012]	8	644381-8
△ SUPERCEDED	TIN-LEAD	27.74±0.30	[1.092±.012]	7	644381-7
TIN-LEAD	23.77±0.30	[.936±.012]	6	644381-6	
TIN-LEAD	19.81±0.30	[.780±.012]	5	644381-5	
TIN-LEAD	15.85±0.15	[.624±.006]	4	644381-4	
TIN-LEAD	11.89±0.15	[.468±.006]	3	644381-3	
TIN-LEAD	7.92±0.15	[.312±.006]	2	644381-2	
FINISH	A		NO OF	PART NO	
			CICTS		

METRIC

THIS DRAWING IS A CONTROLLED DOCUMENT. DATE: 12 AUG 2003 BY: CARPENTIER, TR 2003

TE Connectivity

MTA-156 CONNECTOR ASSEMBLY, QUAD, 18 AWG, WITH LOCKING RAMP, 108-1219

114-1048

100779 (G) 644381

CUSTOMER DRAWING