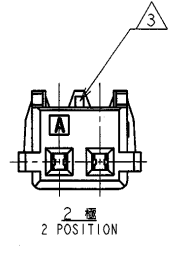
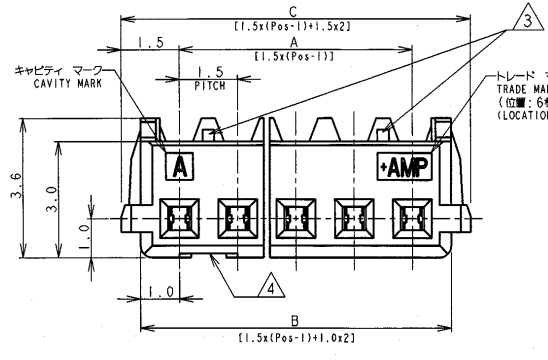


- 注記
- 適用電線範囲: AWG #26
 - 線径外径: $\phi 0.8\text{mm} \sim \phi 0.95\text{mm}$
 - 材料: ハウジング-ガラスエポキシ UL94V-0. 色: グレー. 青
コンタクト-鍍めつき済み. 9A青銅
- △ハウジング ロック:
2極は. 1箇所 3~20極は. 2箇所
- △ゲート口は左付きと右付きが存在する。(2極品を除く)

- NOTES:
- APPLICABLE WIRE SIZE: AWG #26
 - INSULATION DIA RANGE: $\phi 0.8\text{mm} \sim \phi 0.95\text{mm}$
 - MATERIAL:
HOUSING: NYLON(G.F.) UL94V-0, COLOR: GRAY, BLUE
CONTACT: PRE-TIN PHOS-BRONZE
- △HOUSING LOCK:
2 POSITION - SINGLE LOCK
3 TO 20 POSITIONS - DOUBLE LOCK
- △CONNECTOR HAVE THE GATE LEFT SIDE AND RIGHT SIDE. (EXCEPT 2Pos.)




THIS DRAWING IS A CONTROLLED DOCUMENT FOR AMP INCORPORATED. IT IS SUBJECT TO CHANGE AND THE CONTROLLING ENGINEERING ORGANIZATION SHOULD BE CONTACTED FOR THE LATEST REVISION.		TOWN 12.JUL'96 CHK T. FURUYA J. TANIGAWA APVD 12.JUL'96 108-5525 114-5223	WIRE RANGE 線径外径範囲 $0.08\text{mm}^2 - 0.14\text{mm}^2$	INSULATION DIA 絶縁外径 $\phi 0.8\text{mm} \sim \phi 0.95\text{mm}$
DIMENSIONS: 単位: mm 	TOLERANCES UNLESS OTHERWISE SPECIFIED 一般公差 10 ± 0.2 30 ± 0.25 100 ± 0.3 ANGLE $\pm 3^\circ$	NAME 名称 AMP Mini Common Terminated (CT) Connector 1.5mm PITCH MT RECEPTACLE ASSEMBLY	SIZE CAGE CODE DRAWING NO 寸法 登録番号 A3 00779 C-353293	
MATERIAL 材料 SEE NOTE 2 注記2参照	FINISH 仕上げ SEE NOTE 2 注記2参照	WEIGHT 重量 SEE TABLE 表5参照	CUSTOMER DRAWING	SCALE 尺貫 NON

THIS DRAWING IS A CONTROLLED DOCUMENT FOR AMP. UNLESS OTHERWISE SPECIFIED, IT IS SUBJECT TO CHANGE AND THE CONTROLLING ENGINEERING ORGANIZATION SHOULD BE CONTACTED FOR THE LATEST REVISION.

LOC	DTST	REVISIONS				
P	LTR	DESCRIPTION	ECN	DATE	DWN	APVD

0.97	31.5	30.5	28.5	20	7-353293-0	2-353293-0
0.92	30.0	29.0	27.0	19	6-353293-9	1-353293-9
0.87	28.5	27.5	25.5	18	6-353293-8	1-353293-8
0.83	27.0	26.0	24.0	17	6-353293-7	1-353293-7
0.78	25.5	24.5	22.5	16	6-353293-6	1-353293-6
0.73	24.0	23.0	21.0	15	6-353293-5	1-353293-5
0.68	22.5	21.5	19.5	14	6-353293-4	1-353293-4
0.64	21.0	20.0	18.0	13	6-353293-3	1-353293-3
0.59	19.5	18.5	16.5	12	6-353293-2	1-353293-2
0.54	18.0	17.0	15.0	11	6-353293-1	1-353293-1
0.49	16.5	15.5	13.5	10	6-353293-0	1-353293-0
0.45	15.0	14.0	12.0	9	5-353293-9	353293-9
0.40	13.5	12.5	10.5	8	5-353293-8	353293-8
0.35	12.0	11.0	9.0	7	5-353293-7	353293-7
0.30	10.5	9.5	7.5	6	5-353293-6	353293-6
0.26	9.0	8.0	6.0	5	5-353293-5	353293-5
0.21	7.5	6.5	4.5	4	5-353293-4	353293-4
0.16	6.0	5.0	3.0	3	5-353293-3	353293-3
0.11	4.5	3.5	1.5	2	5-353293-2	353293-2
WEIGHT (g)	C	B	A	Pos.	BLUE	GRAY
寸法 DIMENSIONS	製品型番 P/N					

THIS DRAWING IS UNPUBLISHED. BY AMP INCORPORATED. ALL RIGHTS RESERVED. © COPYRIGHT

DIMENSIONS: 単位: mm		WIRE RANGE: 0.08mm ² -0.14mm ²		INSULATION DIA: φ0.8mm-φ0.95mm	
DWN T. FURUYA 12. JUL '96		MATERIAL: SEE SHEET 1 OF 2		FINISH: SEE SHEET 1 OF 2	
CHR J. TANIGAWA 12. JUL '96		 日本エー・エム・ピー株式会社 Kawasaki, Japan			
TOLERANCES UNLESS OTHERWISE SPECIFIED: 一般公差					
10 : ±0.2 30 : ±0.25 100 : ±0.3 ANGLE : ±3°		PRODUCT SPEC 108-5525		NAME AMP Mini Common Terminated (CT) Connector 1.5mm PITCH	
APVD		APPLICATION SPEC 114-5223		MT RECEPTACLE ASSEMBLY	
WEIGHT: SEE TABLE		SIZE: A4	CAGE CODE: 00779	DRAWING NO: C=353293	
CUSTOMER DRAWING		SCALE: NON	SHEET: 2	OF: 2	REV: E