

PART NO.	ENG. NO.
18-12-2222	2046-1(P90 I/L)
18-12-2221	2046-1(P90 I)

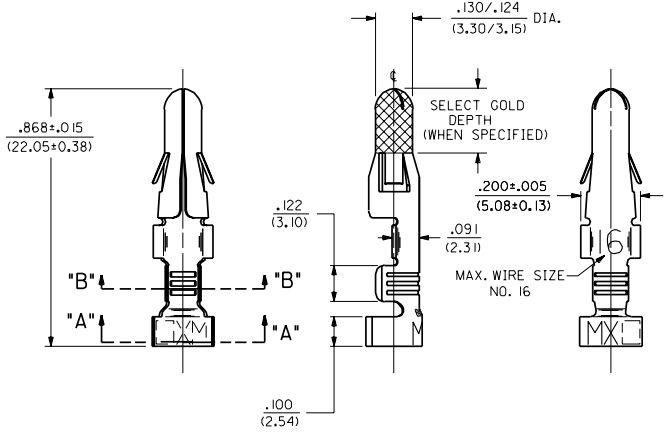
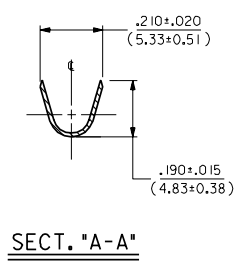
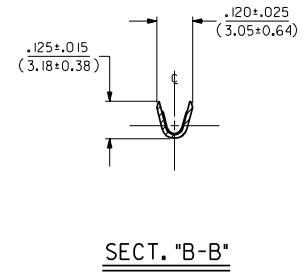
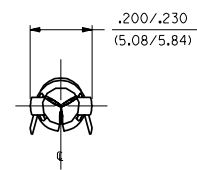
LEGEND

2046-1(****)*

VERSION	(****)	FORM
.120/(3.05) MAX. DIA. INSULATION		BLANK=CHAIN L=LOOSE
P=PREPLATE		FINISH CODE
BLANK=POSTPLATE		

- NOTES:
1. TERMINAL FOR USE WITH .125/(3.17) SERIES HOUSINGS AND WILL ACCEPT 16 THRU 18 AWG WIRE HAVING A .120/(3.05) MAX. DIAMETER INSULATION.
 2. INSERTION FORCE: 6.0 LBS. MAX. WHEN TERMINAL IS INSERTED INTO .125/(3.17) DIA. CORE HOLE.
 3. PULL OUT FORCE: 30 LBS. MIN. RETENTION IN HOUSING .

FINISH CODES:
 901 HOT TIN DIP .000020/(0.0005) MIN.



MATERIAL NOTES:
 1. CARTRIDGE BRASS, ALLOY #C26000;
 .013/(0.33) THICK, SPRING TEMPER

REVISIONS	DATE	BY	REASON
D1	9/21/95	RW	CR. - H5551 & - H555L ECR UB 0379
D	3-5-90	RW	ADD SELECT AREA ECR #100 0230
C	11-28-89	TRM	REVISE PER ECR US 1189
B	10-4-88	RW	REV. & REDRAWN ECR UB 1941 KBW

DIMENSIONS SHOWN: METRIC INCH		▽ = 0		REVISE ONLY ON CAD SYSTEM	
UNLESS OTHERWISE SPECIFIED: TOLERANCES ANGULAR ± .5° TO 1°		TITLE		CRIMP TERMINAL, MALE, .125/(3.17) DIA 16-18 AWG .120/(3.05) DIA. INSUL.	
INCH	METRIC	DRAWN		DATE	
2 PLACE ± .010	---	FILE NAME		1 OF 1 10 / 4 / 88	
3 PLACE ± .014 ± 0.25	---	SEE CHART		PART NO. SD-2046-1*	
4 PLACE ± .035	---	SCALE		DRAWING NO. 6052	
DRAFT WHERE APPLICABLE MUST REMAIN WITHIN DIMENSIONS				NO DRAWING CONTAINS INFORMATION THAT IS PROPRIETARY TO MOLEX INC. AND SHOULD NOT BE USED WITHOUT WRITTEN PERMISSION.	
DRG. BY: RAS	DRG. BY: RAS	SCALE: 4:1	FILE NAME: 52046(1) 1001		NO. P.S.