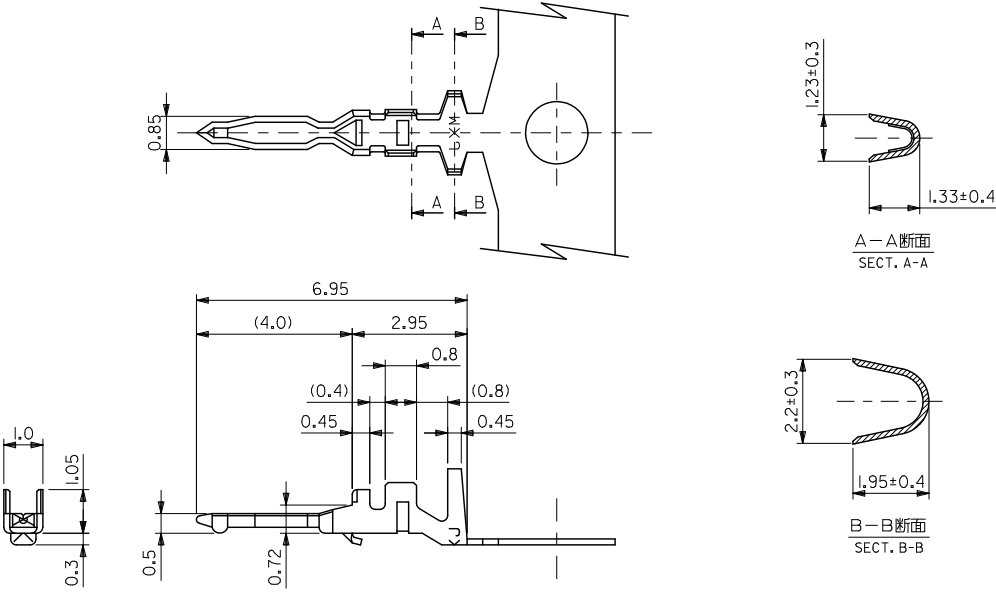


10 9 8 7 6 5 4 3 2 1



注)
NOTE.
1. 適合ハウジング: 51015-**-00
APPLICABLE HOUSING: 51015-**-00

50034-8100	バラ状 LOOSE
50034-8000	連鎖状 CHAIN
オーダー番号 ORDER No.	形状 FORM
CONNECTOR SERIES No. 50034-8*00	

材料 MATERIAL 錫メッキ済、リン青銅 PHOS. BRO. TIN-PLATED 適用電線範囲 WIRE RANGE AWG #26~#30 適用被覆外径 INS. RANGE φ1.4 MAX.	REVISED ELC NO: J2011-1346 DRAWN: YOSHIKAWA 2011/04/11 CHECKED: KASAKAWA 2011/04/11 APPROVED: KITAHARA 2011/04/11 DESCRIPTION 2.0 BOARD IN CONN. CRIMP PIN	GENERAL TOLERANCES (UNLESS SPECIFIED)		DIMENSION STYLE MM ONLY	SCALE 10:1	DESIGN UNITS METRIC	THIRD ANGLE PROJECTION	
		10 UNDER	±0.2	DRAWN BY KKOHAMA	DATE 2000/03/28	TITLE 2.0 BOARD IN CONN. CRIMP PIN		
		10 OVER 30 UNDER	±0.25	CHECKED BY TYAMAGUCHI	DATE 2000/03/30	MOLEX INCORPORATED		
		30 OVER	±0.3	APPROVED BY MFUKUSHIMA	DATE 2000/03/30	DOCUMENT NO. SD-50034-002		
ANGULAR ±3°		DRAFT WHERE APPLICABLE MUST REMAIN WITHIN DIMENSIONS		MATERIAL NO. SEE CHART	SHEET NO. 1 OF 1			
SIZE A3				THIS DRAWING CONTAINS INFORMATION THAT IS PROPRIETARY TO MOLEX INCORPORATED AND SHOULD NOT BE USED WITHOUT WRITTEN PERMISSION				

tb_frame_A3_J_ME_S
Rev. E 2006/04/15

EN-02JA(021)