

4

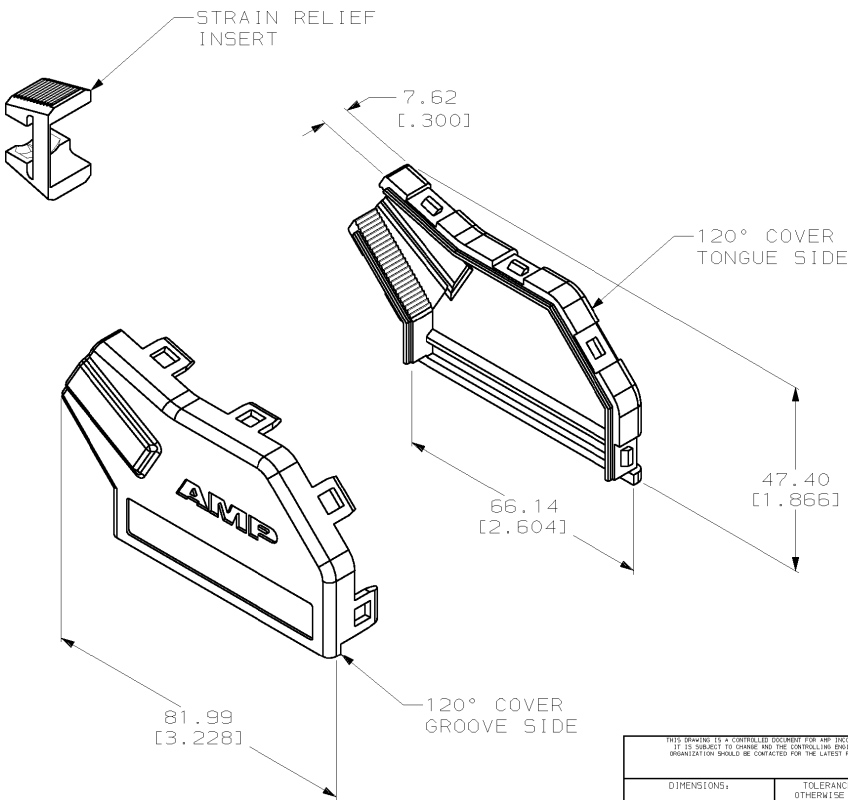
3

2

1

THIS DRAWING IS UNPUBLISHED. RELEASED FOR PUBLICATION .19 . . .
 © COPYRIGHT 19 BY AMP INCORPORATED. ALL RIGHTS RESERVED.

LOC	DIST	REVISIONS			
P	LTR	DESCRIPTION	DATE	DWN	APVD
AA	20	A	REVISED; ECOU1C-0075-01	01MAR01	DLDEWB



1. THIS KIT SHIPPED NOT ASSEMBLED.
2. CABLE RANGE: Ø8.9-17.3 [0.350-.680].

BLACK	569336-3
ALMOND	569336-1
COLOR	PART NUMBER

THIS DRAWING IS A CONTROLLED DOCUMENT FOR AMP INCORPORATED. IT IS SUBJECT TO CHANGE AND THE CONTROLLING ENGINEERING ORGANIZATION SHALL BE ADVISED FOR THE LATEST REVISION.		DWN	DL DRUMMOND	5-09-95	AMP AMP Incorporated Harrisburg, PA 17105-3608
DIMENSIONS: mm [INCHES]		CHK	N. JONES	5-12-95	
TOLERANCES UNLESS OTHERWISE SPECIFIED:		APVD	M. HUGHES	5-19-99	NAME
0 PLC	±-	PRODUCT SPEC		COVER KIT, 120 DEGREE, 50 POSITION, CHAMP SYSTEM 5	
1 PLC	±-	APPLICATION SPEC		SIZE	A3
2 PLC	±-	MATERIAL		CAGE CODE	00779
3 PLC	±0.13 [0.005]	FINISH		DRAWING NO	C-569336
4 PLC	±-	CUSTOMER DRAWING		SCALE	1:1
ANGLES	±-	WEIGHT		SHEET	1 OF 1
				REV	A