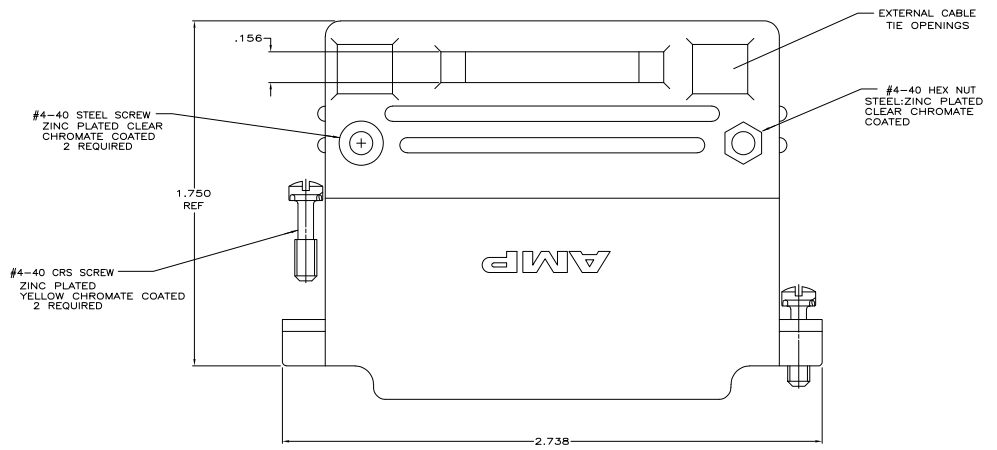
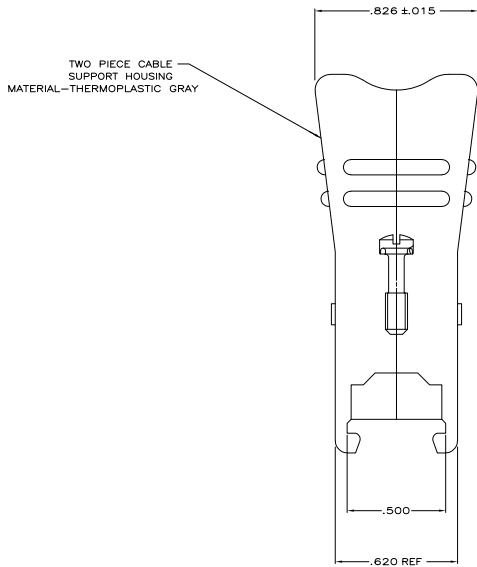
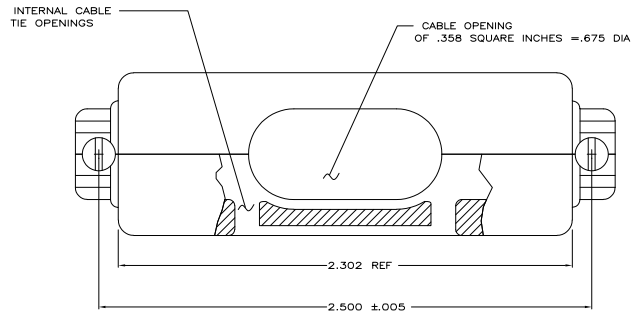


- THIS PART WILL FIT ANY SIZE 4 PLUG OR RECEPTACLE IN THE AMPLIMITE SERIES CONNECTOR.
 - ALL PARTS ARE PACKAGED UNASSEMBLED.
- ▲ ONE KIT PER POLY BAG.
 ▲ SAME AS -1 EXCEPT BULK PACKAGED



OBsolete	▲	5745081-2
PACKAGING	▲	5745081-1
		PART NUMBER

THIS DRAWING IS A CONTROLLED DOCUMENT.		BY: RICHMONDSON	DATE: 10/20/05	The Electronics Corporation Harrisburg, PA 17102-3608
DESIGNED BY: MOSES	DESIGNED BY: MOSES	BY: SCHMIDT	DATE: 10/20/05	
DRAWN BY: M. WILMSLEY CHECKED BY: M. WILMSLEY DATE: 10/20/05 TITLE: CABLE SUPPORT ASSEMBLY, SIZE 4, 37 POSITION, 90°/180°, AMPLIMITE HD-20	DATE: 10/20/05 SIZE: A1 DRAWING NO: 100779 QTY: 5745081	REVISIONS: 1. 10/20/05	CUSTOMER DRAWING TABLE: 2-1 SHEET: 1 OF 1 REV: A	