

4

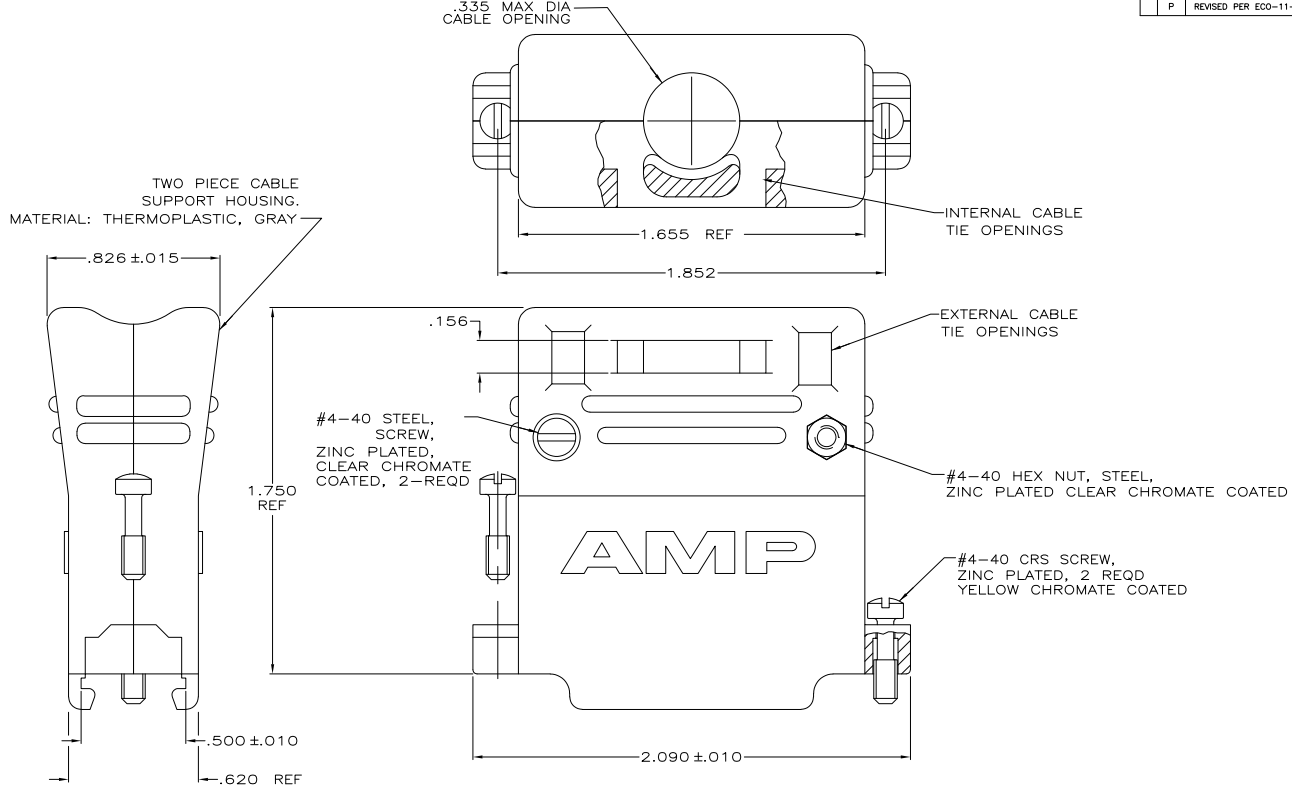
3

2

1

THIS DRAWING IS UNPUBLISHED. RELEASED FOR PUBLICATION. ALL RIGHTS RESERVED. © COPYRIGHT 2008 By -

LOC	DIST	REVISIONS		
GP	00	F	LR	DATE
		P	REVISED PER ECO-11-004835	11MAR11
				RK HMR



1. THIS PART WILL FIT ANY STANDARD SIZE 3 PLUG OR RECEPTACLE IN THE AMPLIMITE SERIES.
2. ALL PARTS ARE PACKAGED UNASSEMBLED.

1 KIT PER POLY BAG	5206472-1
PACKAGING	PART NUMBER

THIS DRAWING IS A CONTROLLED DOCUMENT.		DRW	R. RICHARDSON	31AJ005
DIMENSIONS:		CHK	C. ROHDE	31AJ005
INCHES		APP	M. WALMSLEY	31AJ005
0 PLC		NAME	CABLE CLAMP ASSEMBLY,	
1 PLC		PRODUCT SPEC	180 DEG, SIZE 3,	
2 PLC		APPLICATION SPEC	25 POSITION, AMPLIMITE HD-20	
3 PLC		SIZE	A2	00779
4 PLC		WEIGHT	C=5206472	
ANGLES		RESTRICTED TO	-	
MATERIAL	SEE CALLOUTS	CUSTOMER DRAWING	SCALE	3:1
FINISH	SEE CALLOUTS		SHEET	1 of 1
			REV	P

1471-9 (3/11)

5206472

A