

4

3

2

1

THIS DRAWING IS UNPUBLISHED. RELEASED FOR PUBLICATION
 © COPYRIGHT 2008. BY -- ALL RIGHTS RESERVED.

LOC	DIST	REVISIONS					
CP	00	P	LTR	DESCRIPTION	DATE	BY	APPD
		P		REVISED PER ECO-11-004835	11MAR11	RK	HMR

.350 DIA MAX
CABLE OPENING

INTERNAL CABLE
TIE OPENINGS.

EXTERNAL CABLE
TIE OPENINGS.

#4-40 HEX NUT STEEL
ZINC PLATED, 2 REQD
CLEAR CHROMATE COATED

#4-40 CRS SCREW,
ZINC PLATED, 2 REQD
CLEAR CHROMATE COATING

TWO PIECE CABLE
SUPPORT HOUSING
MATERIAL:
THERMOPLASTIC, GRAY

#4-40 CRS SCREW,
ZINC PLATED, 2 REQD
YELLOW CHROMATE COATED

.500 ±.010

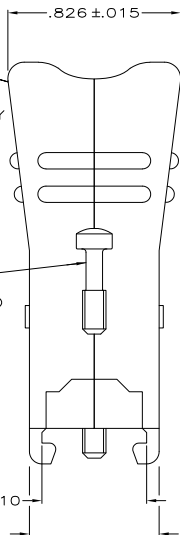
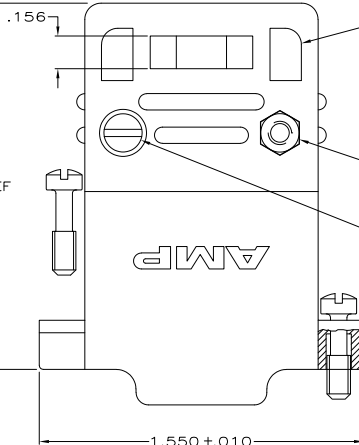
1.750 REF

.826 ±.015

.620 REF

1.115 REF

1.312



1. THIS PART WILL FIT ANY STANDARD SIZE 2 PLUG OR RECEPTACLE IN THE AMPLIMITE SERIES.
2. ALL PARTS ARE PACKAGED UNASSEMBLED.

5206471-1
PART NUMBER

THIS DRAWING IS A CONTROLLED DOCUMENT.		DR: R. RICHARDSON 31AUG08	TE Connectivity	
DIMENSIONS: INCHES		CHK: C. ROHDE 31AUG08	CABLE CLAMP ASSEMBLY, SIZE 2, 15 POSITION, AMPLIMITE HD-20	
TOLERANCES UNLESS OTHERWISE SPECIFIED:		APP: M. WALMSLEY 31AUG08	SIZE: A2	CAGE CODE: 00779
0 PLC	± .005	NAME: M. WALMSLEY	DRAWING NO: C-5206471	RESTRICTED TO: -
1 PLC	± .005	PRODUCT SPEC: -	SCALE: 4:1	SHEET: 1 of 1
2 PLC	± .005	APPLICATION SPEC: -	REV: P	
3 PLC	± .005	WEIGHT: -		
4 PLC	± .005	CUSTOMER DRAWING		
ANGLES	± .5			
MATERIAL: SEE CALLOUTS	FINISH: SEE CALLOUTS			