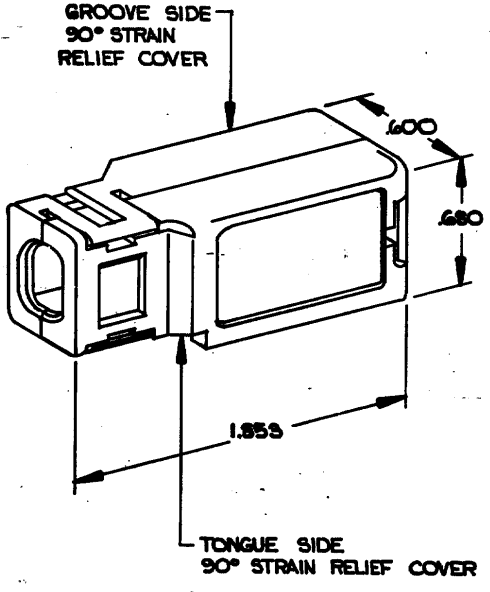


THIS DRAWING IS UNPUBLISHED. RELEASED FOR PUBLICATION . 19 .  
 © COPYRIGHT 19 BY AMP INCORPORATED, HARRISBURG, PA. ALL INTERNATIONAL RIGHTS RESERVED. AMP PRODUCTS MAY BE COVERED BY U.S. AND FOREIGN PATENTS AND/OR PATENTS PENDING.

|           |   |      |     |                           |               |
|-----------|---|------|-----|---------------------------|---------------|
| 2         |   | 1    |     | LOC AA                    | DIST 20       |
| REVISIONS |   |      |     |                           |               |
| P         | F | ZONE | LTR | DESCRIPTION               | DATE APPROVED |
| F         |   | F    |     | OBsolete 2/1: ECN AA-5904 | 12/89 LHS TE  |



1. ALL DIMENSIONS SHOWN ARE FOR REFERENCE ONLY UNLESS OTHERWISE SPECIFIED.
2. COVERS SHIPPED NOT ASSEMBLED.
3. 100 KITS BULK PACKED.

|   |  |   |   |                      |            |
|---|--|---|---|----------------------|------------|
|   | .250 - .300  |   | 1-552418-1                                | 1-552417-1           | 1-552412-1 |
|   | .185 - .250  | BLACK   | 552418-1                                  | 552417-1             | 552412-1   |
|   | CABLE RANGE  | COLOR   | GROOVE SIDE                               | TONGUE SIDE          | KIT        |
|   | DIAMETER   |   | PART NO.                                  | PART NO.             | PART NO.   |
| UNLESS OTHERWISE SPECIFIED DIMENSIONS ARE IN INCHES. TOLERANCES ON: DECIMALS ± ANGLES ± | CONTRACT NO.<br>DR <i>Paul Collins</i> 5-11-83<br>CHK <i>Stephen Della</i> 5/26/83 |   | AMP   AMP INCORPORATED<br>Harrisburg, Pa. |                      |            |
| MATERIAL<br>THERMOPLASTIC   | APPR<br><i>Carl F. Meyer</i> 5/26/83<br><i>Stephen Della</i> 5/26/83               | NAME<br>COVER KIT, 90°<br>14 POSITION, CHAMP® |   |                      |            |
| FINISH  | OSGN/APPR  | SIZE<br>B                                     | PSGM NO<br>00779                          | DRAWING NO<br>552412 |            |
|   | OTHER APPR   | SCALE 2:1                                     |   | SHEET 1 OF 1         |            |

AMP 1470-15 REV 2-81

CUSTOMER DRAWING