

4

3

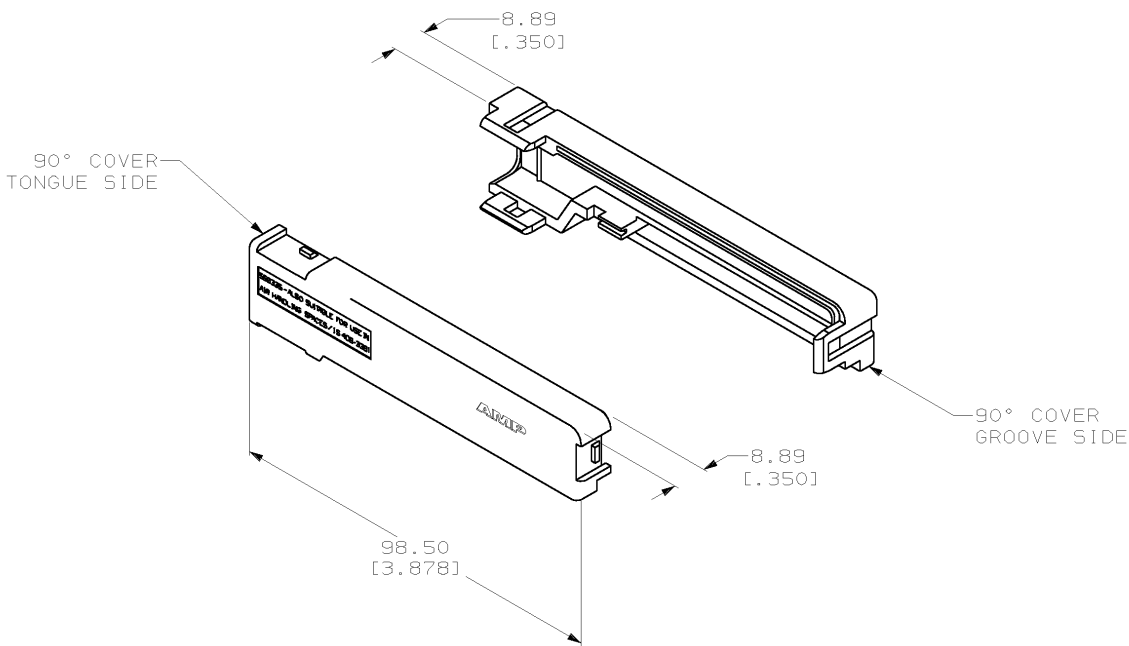
2

1

THIS DRAWING IS UNPUBLISHED. RELEASED FOR PUBLICATION
 © COPYRIGHT 19 BY AMP INCORPORATED. ALL RIGHTS RESERVED.

LOC	DIST	REVISIONS			
P	LTR	DESCRIPTION	DATE	DWN	APVD
AA	20				
	B	OBSOLETE: -2 PER EC 0515-0321-02	21JAN03	DLD	RPM

1. THIS KIT SHIPPED NOT ASSEMBLED.



BLACK	569335-3
ALMOND	569335-1
COLOR	PART NUMBER

THIS DRAWING IS A CONTROLLED DOCUMENT FOR AMP INCORPORATED. IT IS SUBJECT TO CHANGE AND THE CONTROLLING ENGINEERING ORGANIZATION SHOULD BE CONTACTED FOR THE LATEST REVISION.		DWN DL DRUMMOND 5-09-95	AMP AMP Incorporated Harrisburg, PA 17105-3608
DIMENSIONS: mm (INCHES)		CHK N. JONES 5-12-95	
TOLERANCES UNLESS OTHERWISE SPECIFIED:		APVD M. HUGHES 5-19-95	NAME
0 PLC	±-	PRODUCT SPEC	
1 PLC	±-	-	
2 PLC	±-	APPLICATION SPEC	
3 PLC	±0.13 (.005)	-	
4 PLC	±-	WEIGHT	
ANGLES	±-	-	
MATERIAL	-	FINISH	
		-	

SIZE	CAGE CODE	DRAWING NO
A3	00779	569335
CUSTOMER DRAWING		
SCALE	SHEET	REV
1:1	1 OF 1	B