

DRAWING MADE IN THIRD ANGLE PROJECTION

3

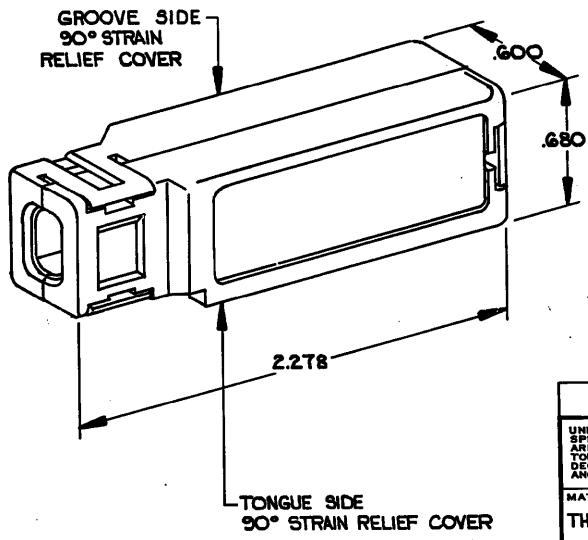
2

AA 20

THIS DRAWING IS UNPUBLISHED. RELEASED FOR PUBLICATION 19
 © COPYRIGHT 19 BY AMP INCORPORATED, HARRISBURG, PA. ALL INTERNATIONAL RIGHTS RESERVED. AMP PRODUCTS MAY BE COVERED BY U.S. AND FOREIGN PATENTS AND/OR PATENTS PENDING.

REVISIONS						
P	F	ZONE	LTR	DESCRIPTION	DATE	APPROVED
F				OBS: -4; ECN AA-4830	5-16-83	NJ

1. ALL DIMENSIONS SHOWN ARE FOR REFERENCE ONLY UNLESS OTHERWISE SPECIFIED.
2. COVERS SHIPPED NOT ASSEMBLED.
3. 100 KITS BULK PACKED.



.305 - .360	BLACK	1-552420-1	1-552419-1	1-552413-1
.250 - .300		552420-1	552419-1	552413-1
CABLE RANGE DIAMETER	COLOR	GROOVE SIDE PART NO.	TONGUE SIDE PART NO.	KIT PART NO.
UNLESS OTHERWISE SPECIFIED DIMENSIONS ARE IN INCHES. TOLERANCES ON: DECIMALS ± ANGLES ±	CONTRACT NO. DR <i>Phil Collins</i> 5-11-83 CHK <i>Stephen Dem</i> 5-16-83	AMP INCORPORATED Harrisburg, Pa.		
MATERIAL THERMOPLASTIC	APPD <i>Phil Collins</i> 5/16/83 OSGN APPD <i>Phil Collins</i> 5/22/83	NAME COVER KIT, 90° STRAIN RELIEF, 24 POSITION, CHAMP®		
FINISH	OTHER APPD	SIZE B	PSCM NO. 00779	DRAWING NO. 552413
		SCALE 2:1	SHEET 1 OF 1	

AMP 1470-13 REV 2-81

CUSTOMER DRAWING