

4

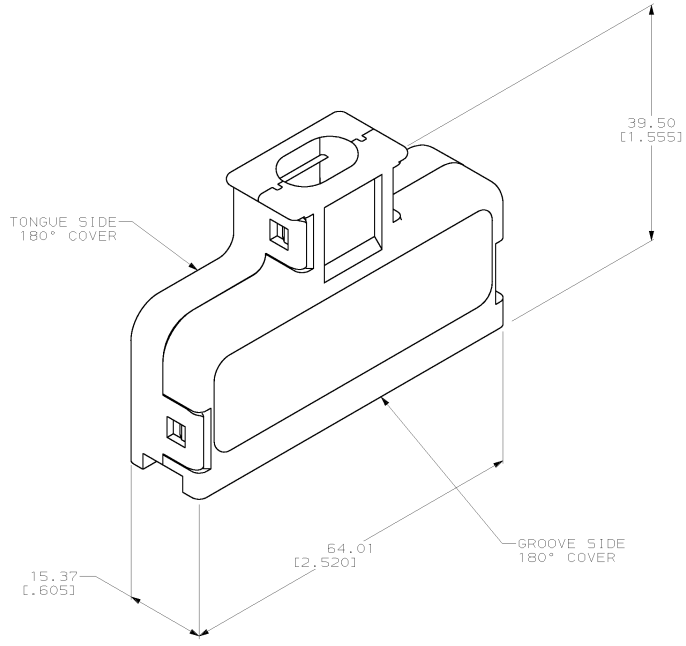
3

2

1

THIS DRAWING IS UNPUBLISHED. RELEASED FOR PUBLICATION
 © COPYRIGHT 19 BY AMP INCORPORATED. ALL RIGHTS RESERVED.

LOC	QTY	REV	DESCRIPTION	DATE	BY	APP'D
AA	20	F	LTR			
		U	REVISED: EC QNF0-0169-01	15OCT01	DL	EJB



- △ MATERIAL: POLYPHENYLENE OXIDE MOLDING COMPOUND. SEE TABLE FOR COLOR.
- 2. ALL DIMENSIONS SHOWN ARE MAXIMUM UNLESS OTHERWISE SPECIFIED.
- 3. 100 KITS BULK PACKAGED.

12.19-13.97 [.480-.550]	ALMOND	4-552007-2	4-552006-2	4-552008-2
12.19-13.97 [.480-.550]	BLACK	4-552007-1	4-552006-1	4-552008-1
8.38-9.65 [.330-.380]	BLACK	3-552007-1	3-552006-1	3-552008-1
9.65-10.92 [.380-.430]	BLACK	2-552007-1	2-552006-1	2-552008-1
10.92-12.45 [.430-.490]	GRAY	552007-4	552006-4	552008-4
10.92-12.45 [.430-.490]	BLACK	552007-1	552006-1	552008-1
CABLE RANGE DIAMETER	COLOR	GROOVE SIDE PART NO.	TONGUE SIDE PART NO.	KIT PART NO.

<small>NOT RECOMMENDED FOR USE IN APPLICATIONS WHERE HIGH TEMPERATURES OR HIGH VOLTAGES WILL BE APPLIED TO THE CONTACTS.</small> DIMENSIONS IN MILLIMETERS AND INCHES DIMENSIONS IN MILLIMETERS		DWN D.L. STRAUSSER 164997 CHK H. HUGHES 214997 APP'D H. HUGHES 214997 PRODUCT SPEC APPLICATION SPEC REVISION CUSTOMER DRAWING	AMP Incorporated Harrisburg, PA 17105-3608 AMP COVER KIT, 180 DEGREE, 50 POSITION, CHAMP SIZE: A2 CASE CODE: 100779 DRAWING NO: C-552008 RESTRICTED TO: - SCALE: 2:1 SHEET 1 OF 1 REV U
---	--	--	---

552008