

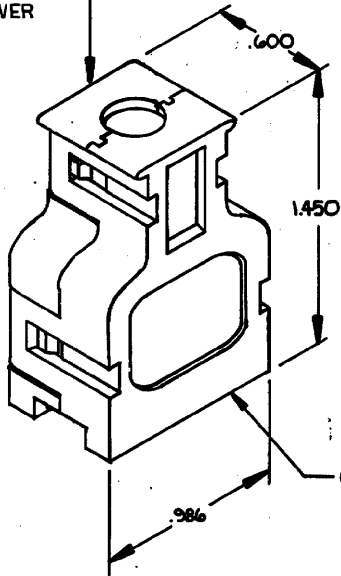
THIS DRAWING IS UNPUBLISHED. RELEASED FOR PUBLICATION 19

© COPYRIGHT 19 BY AMP INCORPORATED, HARRISBURG, PA. ALL INTERNATIONAL RIGHTS RESERVED. AMP PRODUCTS MAY BE COVERED BY U.S. AND FOREIGN PATENTS AND/OR PATENTS PENDING.

LOC AA DIST 20

REVISIONS						
P	F	ZONE	CTR	DESCRIPTION	DATE	APPROVED
E				REV PER ECN AA-4373	04/01/83	Am

TONGUE SIDE
180° COVER



GROOVE SIDE
180° COVER

1. ALL DIMENSIONS SHOWN ARE FOR REFERENCE ONLY UNLESS OTHERWISE SPECIFIED.
2. COVERS SHIPPED NOT ASSEMBLED.
3. 100 KITS BULK PACKED.

.265 - .310		2-552078-1	2-552077-1	2-552079-1
.220 - .265	BLACK	1-552078-1	1-552077-1	1-552079-1
.175 - .220		552078-1	552077-1	552079-1
CABLE RANGE	COLOR	GROOVE SIDE	TONGUE SIDE	KIT
DIAMETER		PART NO.	PART NO.	PART NO.

UNLESS OTHERWISE SPECIFIED DIMENSIONS ARE IN INCHES. TOLERANCES ON: DECIMALS ± ANGLES ±	CONTRACT NO	AMP AMP INCORPORATED Harrisburg, Pa.		
	DR <i>Phil Collins</i> 5/6/83			
MATERIAL	CHK <i>Stephen Dora</i> 5/9/83	NAME COVER KIT, 180°, 14 POSITION, CHAMP®		
FINISH	APPR <i>E. Mann</i> 5/24/83	SIZE B	PSCM NO 00779	DRAWING NO 552079
	ASGN APPD	SCALE 2:1	SHEET 1 OF 1	
	OTHER APPD			

1779-15 REV 2-81

CUSTOMER DRAWING

D
C
B
A