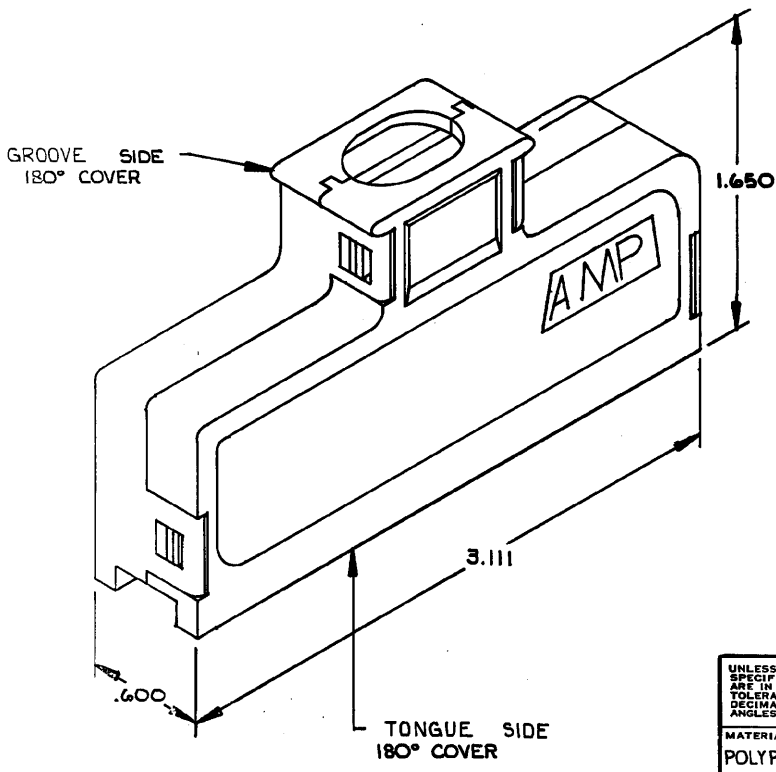


WING IS UNPUBLISHED. RELEASED FOR PUBLICATION . 19
 BY AMP INCORPORATED, HARRISBURG, PA. ALL INTERNATIONAL RIGHTS
 RESERVED. AMP PRODUCTS MAY BE COVERED BY U.S. AND FOREIGN PATENTS AND/OR PATENTS PENDING.

P		F		Z		L		R		LOC	AA	DIST	20
REVISIONS													
P		F		Z		L		R		DATE	APPROVED		
F		V		F		S		U		P		S	
DESCRIPTION										DATE		APPROVED	
SUPSD 5/1: ECN AA-4452										11/30/87		[Signature]	



1. ALL DIMENSIONS SHOWN ARE FOR REFERENCE ONLY UNLESS OTHERWISE SPECIFIED.
2. COVERS SHIPPED NOT ASSEMBLED.
3. 100 KITS BULK PACKED

480-.540	BLACK	552081-1	552080-1	552081-1
CABLE RANGE	COLOR	GROOVE SIDE	TONGUE SIDE	KIT
DIAMETER		PART NO.	PART NO.	PART NO.

UNLESS OTHERWISE SPECIFIED DIMENSIONS ARE IN INCHES. TOLERANCES ON: DECIMALS ± ANGLES ±	CONTRACT NO		AMP AMP INCORPORATED Harrisburg, Pa.	
	DR P.K. COLLINS 5-4-83		NAME COVER KIT, 180°, 64 POSITION, CHAMP®	
	CHK Stephen Dene 8/3/83		SIZE B	
	MATERIAL POLYPHENYLENE		FSCM NO 00779	
APPRO 5/15/83		DRAWING NO 552082		
APPRO 5/15/83		SCALE 2:1		
DSGN APPD [Signature] 11/30/87		SHEET 1 OF 1		
FINISH		OTHER APPD		

CUSTOMER DRAWING

10-15 REV 2-81