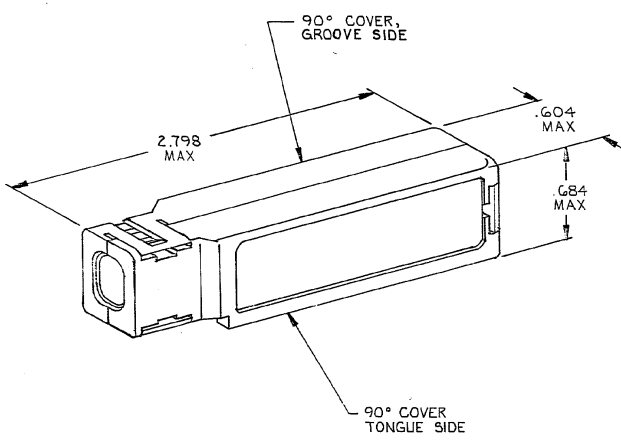


DRAWING MADE IN THIRD ANGLE PROJECTION

THIS DRAWING IS UNPUBLISHED. RELEASED FOR PUBLICATION 19
 © COPYRIGHT 19 BY AMP INCORPORATED, HARRISBURG, PA. ALL INTERNATIONAL RIGHTS RESERVED. AMP PRODUCTS MAY BE COVERED BY U.S. AND FOREIGN PATENTS AND/OR PATENTS PENDING.

REVISIONS					
P	F	ZONE	DESCRIPTION	DATE	APPROVED
H	1		OBsolete 5/1 & 5/2, ECN AA-4830	5/20/83	<i>[Signature]</i>

LOC DIET
AA 20



- COVERS SHIPPED NOT ASSEMBLED.
- 100 KITS BULK PACKED.

BULK	.330 - .380	BLACK	3-552422-1	3-552421-1	3-552414-1
PACKAGING	305 - 360	COLOR	552422-1	552421-1	552414-1
	CABLE RANGE DIAMETER		GROOVE SIDE PART NO.	TONGUE SIDE PART NO.	KIT PART NO.

UNLESS OTHERWISE SPECIFIED DIMENSIONS ARE IN INCHES. TOLERANCES ON: DECIMALS ± ANGLES ±	CONTRACT NO.	AMP AMP INCORPORATED Harrisburg, Pa. 17105		
	DR. P.K. COLLINS 5-3-83	NAME		
	CHK. Stephen Dow 5/5/83	COVER KIT, 90°, 36 POSITION, CHAMP®		
	APPR. C.F. [Signature] 5/5/83	SIZE	FSCM NO.	DRAWING NO.
MATERIAL POLYPHENYLENE	OSGN APPR. 1	C	00779	552414
FINISH	OTHER APPR.	SCALE	2:1	SHEET 1 OF 1

AMP 1471-6 REV 2-81

CUSTOMER DRAWING

552414