

4

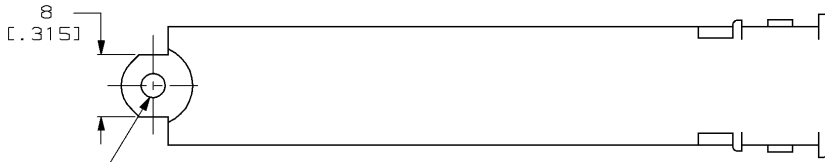
3

2

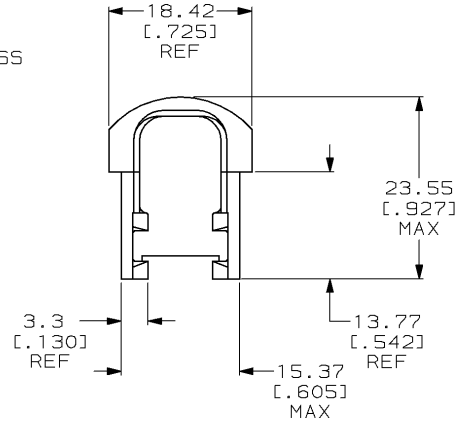
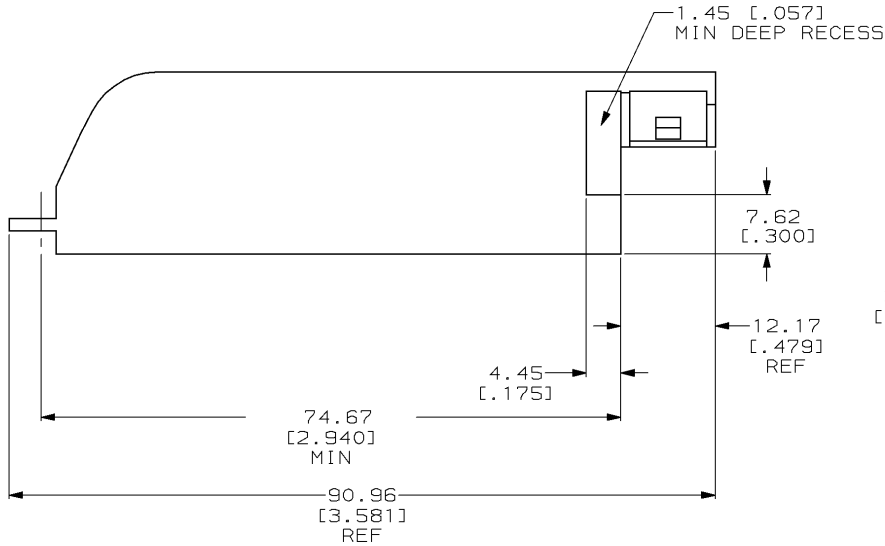
1

THIS DRAWING IS UNPUBLISHED. RELEASED FOR PUBLICATION
 © COPYRIGHT 19 BY AMP INCORPORATED. ALL RIGHTS RESERVED.

Loc	DIST	REVISIONS				
P	LTR	DESCRIPTION	DATE	DWN	APVD	
AA	20	A	REDRAWN PER EC 0502-0051-98	21JAN98	CW MH	



8
[.315]
Ø3.15
[.124]
MAX



GRAY	552617-4
BLACK	552617-1
COLOR	PART NO.

THIS DRAWING IS A CONTROLLED DOCUMENT.		DWN	T. PITTS	02JUL76	AMP Incorporated Harrisburg, PA 17105-3608					
DIMENSIONS:		CHK	J. COMPTON	02JUL76						
mm [INCHES]	TOLERANCES UNLESS OTHERWISE SPECIFIED:	APVD	G.H. FOSTER	02JUL76						
0 PLC ±-	1 PLC ±-	NAME	COVER, SLIDE-ON, 50 POSN, CHAMP®							
1 PLC ±-	2 PLC ±-	PRODUCT SPEC	SIZE	A3	CAGE CODE	00779	DRAWING NO	552617	RESTRICTED TO	-
2 PLC ±-	3 PLC ±.005	APPLICATION SPEC	WEIGHT	-	CUSTOMER DRAWING		SCALE	2:1	SHEET	1 OF 1
3 PLC ±-	4 PLC ±-	MATERIAL	NORYL 990		FINISH		-		REV	A

AMP 1470-19 REV 11JUN87

21-JAN-98 08:55:50 amp00239 /home/amp00239/edmod