

DRAWINGS MADE IN THIRD ANGLE PROJECTION

3

2

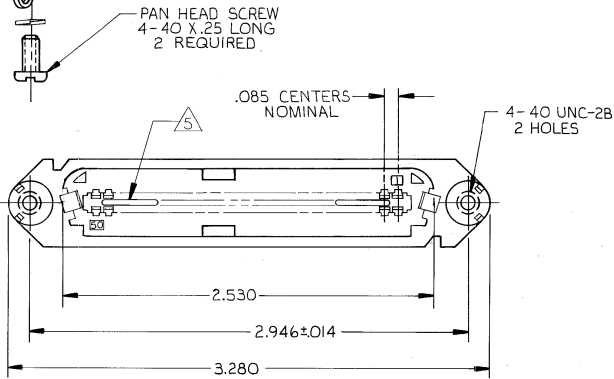
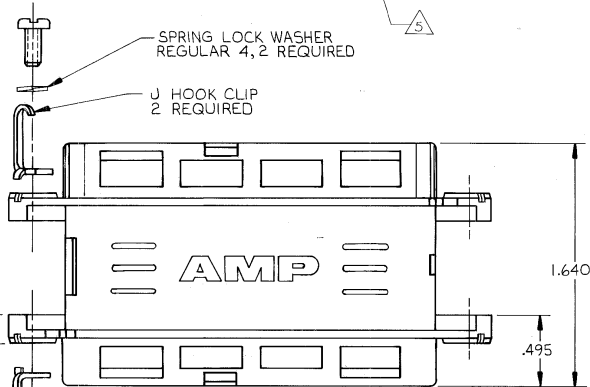
1

LOC AA DIST 20

THIS DRAWING IS UNPUBLISHED. RELEASED FOR PUBLICATION 19  
 © COPYRIGHT 19 BY AMP INCORPORATED, HARRISBURG, PA. ALL INTERNATIONAL RIGHTS RESERVED. AMP PRODUCTS MAY BE COVERED BY U.S. AND FOREIGN PATENTS AND/OR PATENTS PENDING.

REVISIONS						
P	F	ZONE	LTR	DESCRIPTION	DATE	APPROVED
G				REV. EC DUIC-0040-01	3-19-85	DD EB

1. LIKE NUMBERED CONTACTS ON BOTH CONNECTORS ARE ELECTRICALLY COMMON.
2. THE CONTACT SURFACES OF THE TERMINALS ARE COATED WITH LUBRICANT.
- △ MATERIAL: HOUSINGS & COVERS - POLYPHENYLENE, BLACK.  
TERMINALS - GOLD OVER NICKEL PLATED HIGH STRENGTH COPPER ALLOY.  
HARDWARE - ZINC PLATED STEEL.
4. ALL DIMENSIONS ARE MAXIMUM UNLESS OTHERWISE SPECIFIED.
- △ SCORING MAY OR MAY NOT APPEAR AND IS AT THE DISCRETION OF AMP INCORPORATED.



SPRING LOCK WASHER  
REGULAR 4,2 REQUIRED

J HOOK CLIP  
2 REQUIRED

PAN HEAD SCREW  
4-40 X .25 LONG  
2 REQUIRED

ADAPTER COVER  
2 REQUIRED

ONE KIT PER POLY BAG	WITHOUT J HOOK & HARDWARE	554875-2
	WITH J HOOK & HARDWARE	554875-1
PACKAGING	DESCRIPTION	PART NO

UNLESS OTHERWISE SPECIFIED DIMENSIONS ARE IN INCHES. TOLERANCES ON: DECIMALS ± ANGLES ±	CONTRACT NO		AMP   AMP INCORPORATED Harrisburg, Pa. 17105	
	DR M.S. Byrley 9/26/85	NAME RECEPTACLE KIT, GENDER MENDER, 50 POSITION, W/ J HOOK HARDWARE, CHAMP-LOK		
MATERIAL	CHK B. Granty 9/27/85	APPD B. Hutchens 10/1/85	SIZE C	FSCM NO 00779
FINISH	APPD W. H. H. 10/1/85	DSGN/APPD	DRAWING NO 554875	SCALE 2:1
	OTHER APPD		SHEET 1 OF 1	

CUSTOMER DRAWING

AMP 1471-7

554875