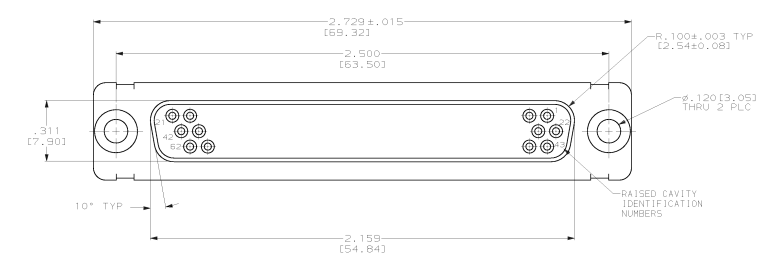
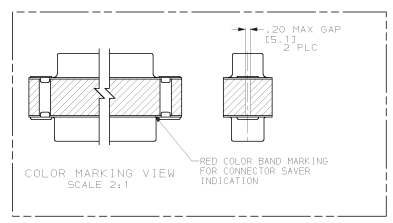
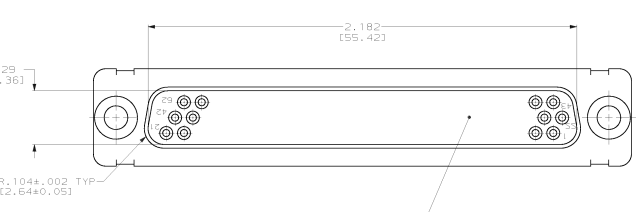
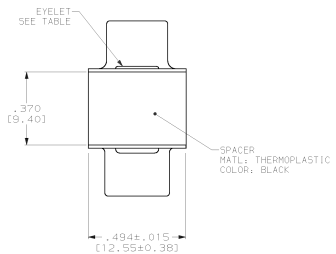
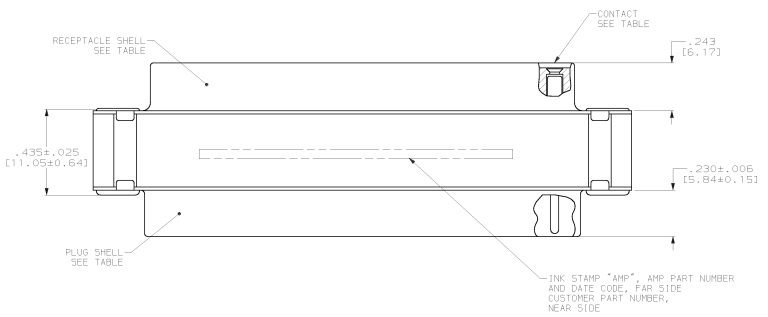


REV. 000001 TO PREVIOUS EDITION	REVISION FOR FUNCTIONALITY
DATE: 06/20/00	BY: JMK

REV.	DATE	BY	CHK	APP
0	REV PER 0630-320-01		5-02	CT JMK
1	REV PER 0630-0619-02		7-03	JMK LO



- CONTACTS INCLUDED IN ASSEMBLY.
- CONTACT
- BODY MATL: BERYLLIUM COPPER PER ASTM-B-197.
- BODY FINISH: PLATED GOLD, .000050 MIN THK PER MIL-G-45204 OVER NICKEL, .000050 MIN THK PER QQ-N-290.
- HOOD MATL: STAINLESS STEEL PER ASTM-A-167.
- HOOD FINISH: PASSIVATED PER ASTM-A-380
- MATL: BRASS PER ASTM-B-36.
- FINISH: PLATED GOLD, .000050 MIN THK PER MIL-G-45204 OVER COPPER, .000100 MIN THK PER MIL-C-14550.



INSERT ASSEMBLY
 MATL: POLYESTER PER MIL-M-24519
 TYPE 6PT-30F
 COLOR: BLUE
 OR POLYPHENYLENE SULFIDE (PPS)
 PER MIL-M24519, TYPE 6ST-40F
 COLOR: BLACK

4UB84 SOCN R10002677-0009	1218311-2
(1J02-009)	1218311-1
CUSTOMER P/N	PART NO.

THIS DRAWING IS A CONTROLLED DOCUMENT.	1. 3000500	200000	AMP Incorporated
DATE: 06/20/00	BY: JMK	CHK: JMK	Harrisburg, PA 17105-3608
REV: 000001	REV: 000001	REV: 000001	AMP MILITARY CONNECTOR Saver
MATERIAL: -	FINISH: -	REV: -	SERIES 50, SIZE 4, 62 POS
PROCESS: -	REVISION: -	DATE: -	NON-REMOVABLE CONTACTS
			THE ONE OR MORE NO. 1218311
			00778