

4

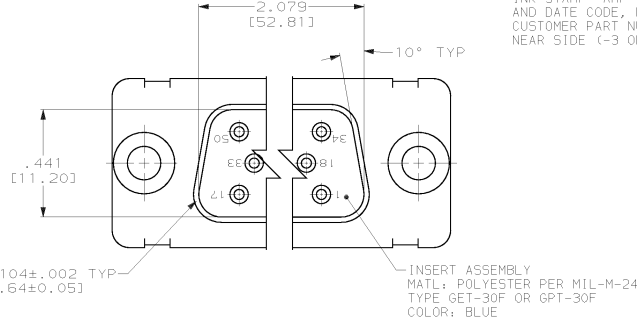
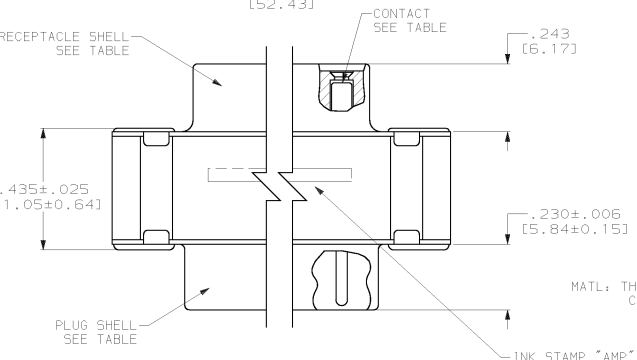
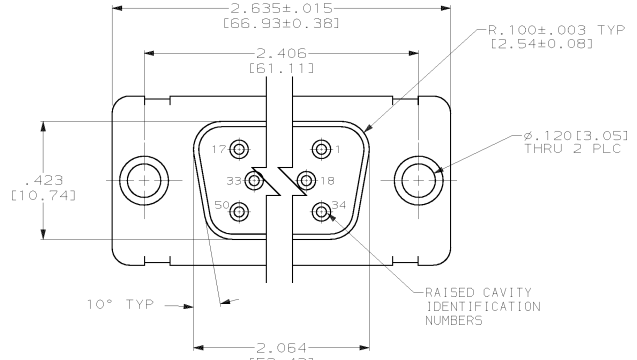
3

2

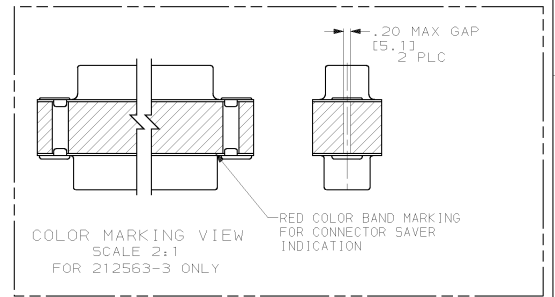
1

THIS DRAWING IS UNPUBLISHED.  
 (C) COPYRIGHT IS BY AMP INCORPORATED. ALL RIGHTS RESERVED.

REV	DF	DATE	DESCRIPTION	DATE	BY	APP'D
1	DF	0630-0619-02	REV PER	7-03	JMK	LD



- CONTACTS INCLUDED IN ASSEMBLY.
- MATL: STEEL, PER ASTM-A-109.
- FINISH: CADMIUM PER 00-P-416.
- CONTACT
- BODY MATL: BERYLLIUM COPPER PER ASTM-B-197.
- BODY FINISH: PLATED GOLD, .000050 MIN THK PER MIL-G-45204 OVER NICKEL, .000050 MIN THK PER 00-N-290.
- HOOD MATL: STAINLESS STEEL PER ASTM-A-167.
- HOOD FINISH: PASSIVATED PER ASTM-A-380.
- FINISH: PLATED ZINC .00020 MIN THK PER ASTM-B-633. YELLOW CHROMATE FINISH.
- MATL: BRASS PER ASTM-B-36.
- FINISH: PLATED GOLD, .000050 MIN THK PER MIL-G-45204 OVER COPPER, .000100 MIN THK PER MIL-C-14550.
- CONTACT
- BODY MATL: BERYLLIUM COPPER PER ASTM-B-197.
- BODY AND HOOD FINISH: PLATED GOLD, .000050 MIN THK PER MIL-G-45204 OVER COPPER, .000100 MIN THK PER MIL-C-14550.
- HOOD MATL: BRASS PER ASTM-B-36



OBsolete	6/7/8	7/6/8	8/7/6	4U884 SOCN R10002677-0105	212563-6
	6/7/8	7/6/8	8/7/6	PT2-111-11	212563-5
	6/7/8	7/6/8	8/7/6	-	212563-4
	6/7/8	7/6/8	8/7/6	(1J02-105)	212563-3
	6/7/8	7/6/8	8/7/6	-	212563-2
	6/7/8	7/6/8	8/7/6	-	212563-1
EYELET	SHELLS	CONTACT	CUSTOMER P/N	PART NO.	

DIMENSIONS IN (mm)		DIMENSIONS IN (mm)		DATE 11-07-94		AMP Incorporated Harrisburg, PA 17105-3608	
0 PLC +- 1 PLC +- 2 PLC +- 3 PLC +- 4 PLC +-		0 PLC +- 1 PLC +- 2 PLC +- 3 PLC +- 4 PLC +-		NAME ID, MANTIONE		AMP Incorporated Harrisburg, PA 17105-3608	
MATERIAL -		FINISH -		APPLICATION SPEC -		SIZE A2 00779	
CUSTOMER DRAWINGS		SCALE 4:1		SHEET 1 OF 1		REV B	