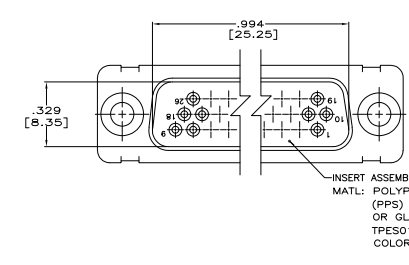
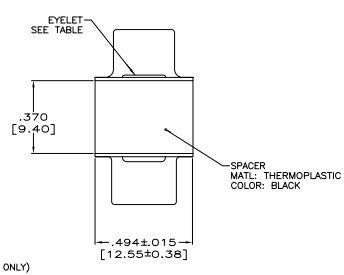
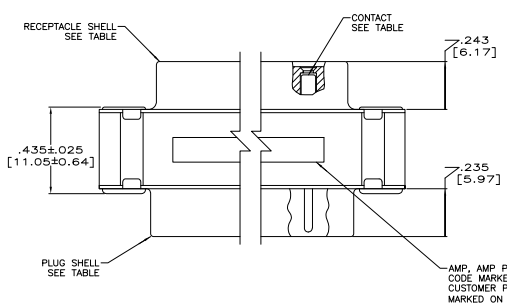
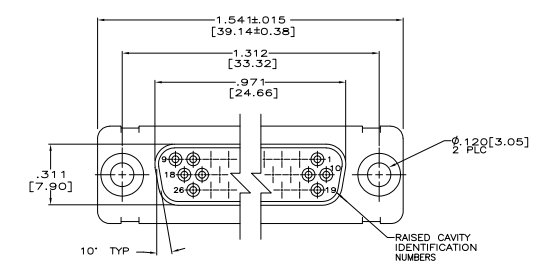
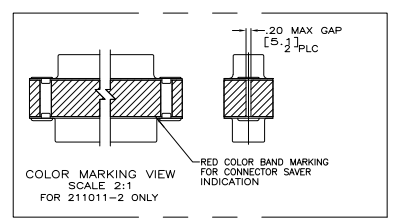


REV	DATE	DESCRIPTION	BY	CHK	APP
DF	DO				
T		REV PER ECO-06-010048			



- CONTACTS INCLUDED IN ASSEMBLY.
- MAT'L: STEEL PER ASTM-A-109.
- FINISH: CADMIUM PER QQ-P-416.
- MAT'L: BRASS PER ASTM-B-36.
- FINISH: PLATED ZINC .00020 MIN THK PER ASTM-B-633. YELLOW CHROMATE FINISH.
- CONTACT  
 BODY MAT'L: BERYLLIUM COPPER PER ASTM-B-197.  
 BODY FINISH: PLATED GOLD, .000050 MIN THK PER MIL-G-45204 OVER NICKEL, .000050 MIN THK PER QQ-N-290.  
 HOOD MAT'L: STAINLESS STEEL PER ASTM-A-240.  
 HOOD FINISH: PASSIVATED PER QQ-P-35
- FINISH: PLATED GOLD, .000050 MIN THK PER MIL-G-45204 OVER COPPER FLASH
- FINISH: PLATED GOLD, .000050 MIN THK PER MIL-G-45204 OVER COPPER, .000100 MIN THK PER MIL-C-14550.
- CONTACT  
 BODY MAT'L: BERYLLIUM COPPER PER ASTM-B-197.  
 BODY FINISH: PLATED GOLD, .000050 MIN THK PER MIL-G-45204 OVER COPPER, .000100 MIN THK PER MIL-C-14550.  
 HOOD MAT'L: COPPER ALLOY PER QQ-B-613.  
 FINISH: PLATED GOLD, .000050 MIN THK PER MIL-G-45204 OVER COPPER, .000100 MIN THK PER MIL-C-14550.



OBSOLETE	EYELET	SHELLS	CONTACT	CUSTOMER P/N	PART NO.
				4UBB4 SOCN R10002677-0107	211011-6
				2A091-002W-001	211011-5
				--	211011-4
				--	211011-3
				(1J02-107)	211011-2
				--	211011-1

THIS DRAWING IS A CONTROLLED DOCUMENT. THE C. THOMAS H. HUBBARD 11-13-88 TTI Electronics Corporation Harrisburg, PA 17105-3608

REVISIONS: 11-13-88 DATE: 11-13-88  
 DRAWN BY: [Signature] CHECKED BY: [Signature]  
 PART NO. 211011-2  
 CUSTOMER P/N: A100779 (C)=211011  
 SCALE: 2:1