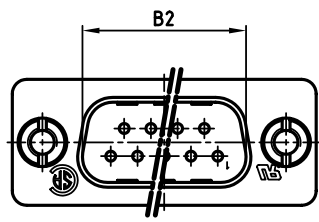
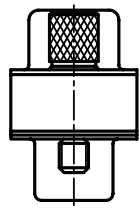
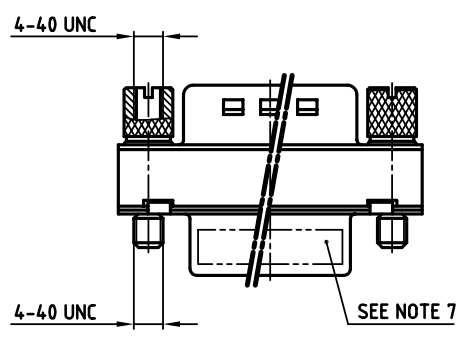
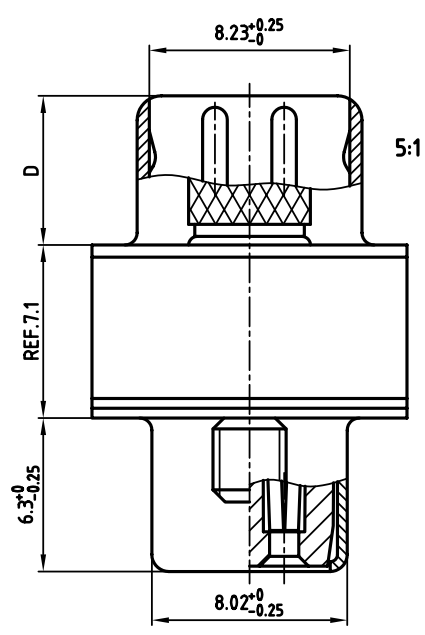
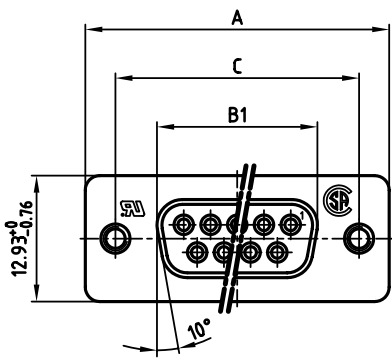


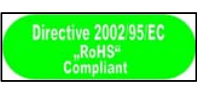
POS.	A ^{-0.76}	B1 ^{-0.25}	B2 ^{+0.25}	C	D ^{-0.3}	PART NO.
9	31.19	16.46	16.79	25.00 ^{+0.12} _{-0.13}	6.12	243A10050X
15	39.52	24.79	25.12	33.30 ^{+0.15} _{-0.15}	6.12	243A10060X
25	53.42	38.50	38.84	47.04 ^{+0.13}	5.99	243A10070X
37	69.70	54.96	55.30	63.50 ^{+0.13}	5.99	243A10080X

used for: FILTER ADAPTER



NOTES:

- METALSHELLS: STEEL; min. 320µ" TIN
- INSULATORS: PBT GF UL 94 V-0, BLACK
- CONTACTS: COPPER ALLOY
PLATING: 8µ" HARD GOLD OVER min. 50µ" NICKEL
- CAPACITANCE: 1300pF ±20%
- DIELECTRIC WITHSTANDING VOLTAGE: 424 VDC
- MAXIMUM TORQUE VALUE FOR THREAD: 6" LBS
- CONNECTOR IS PART MARKED: PART-NO. CONEC ABC



APPROVAL # FREIGABE # DEBLOCAGE # AUTOR/ZACION # APPROVAL

CUSTOMER APPROVAL DATE:

NAME: TITLE:

COMPANY NAME:

APPROVAL # FREIGABE # DEBLOCAGE # AUTOR/ZACION # APPROVAL

THIS DRAWING MAY NOT BE COPIED OR REPRODUCED IN ANY WAY, AND MAY NOT BE PASSED ON TO A THIRD PARTY, WITHOUT WRITTEN PERMISSION. OWNERSHIP AND COPYRIGHT OF CONEC GmbH. DO NOT ALTER CAD DRAWING BY HAND

rev.	description	date	name

tolerance	dim. in mm
2005	date
drawn	03.08. Lehmenkühler
appd.	03.08. Mickenbecker
norm	DIN 41652
d-old	

scale: 2:1 (5:1)
material: SEE NOTES

title: **D-SUB C-FILTER ADAPTER**
9-37pos. PLUG / SOCKET
with jack screws

dwg no: AutoCAD 2004 DIN-A
3
sh: 1/1

part no: **24K1A681**
SEE TABLE

