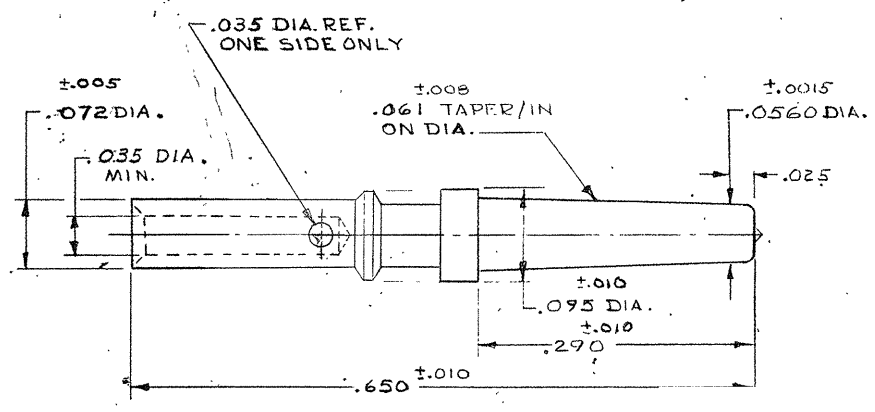


© 1964 BY AMP INCORPORATED. ALL RIGHTS RESERVED. AMP PRODUCTS COVERED BY PATENTS AND/OR PATENTS PENDING.

REVISIONS				
ZONE	LTR	DESCRIPTION	DATE	APPROVED
A		REDRAWN & REVISED 2018	9-19-69	m.s. d.H.
B		LOC SWASAB, DIST 12 WAS 39 9347	1-7-72	J.P.
C		OBSOLETE -2, BRIGHT TIN .0001 WAS TIN EA 970	2-1-79	D.J.A.
D		BRIGHT TIN-LEAD WAS BRIGHT TIN, EA 1818	6-18-81	D.S.
E		REV PER DF-2051	10-3-89	W.C.
F		REV PER DF-2412, REACT-3	T.W.	10-28-89
G		REV PER OH14-0139-05	1-06	PY RG



- ▲ BRIGHT TIN-LEAD $\pm .0001$ THICK
- ▲ SILVER $\pm .0002$ THICK
- ▲ GOLD $\pm .000030$ OVER $.0000650$ NICKEL.
- ▲ MATTE TIN - $.0001$ THICK

PART NO.	FINISH.	WIRE SIZE
66074-1	▲	" 24 - #22
66074-2	▲	
66074-3	▲	
5-66074-1	▲	#24 #22

UNLESS OTHERWISE SPECIFIED DIMENSIONS ARE IN INCHES. TOLERANCES ON DECIMALS $\pm .015$ ANGLES \pm	CONTRACT NO.		AMP INCORPORATED HARRISBURG, PENNSYLVANIA		
	DRY	4-11-69			
	CHK	S. Weide 5-12-69			
	APPD	E. Snyder 5/15/69			
MATERIAL	REL	W. F. ... 5-15-69	NAME		
BRASS	DSGN APPD		PIN, TAPER, 53 SERIES, UNINSULATED		
	OTHER APPD		SIZE	CODE IDENT NO.	NUMBER
			B	00779	66074
			SCALE 10-1		SHEET