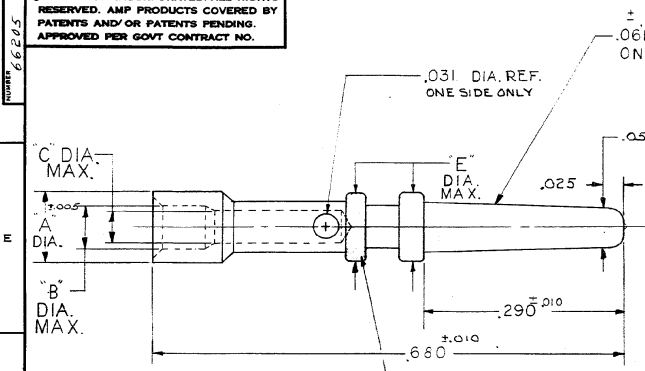


© 1963 BY AMP INCORPORATED. ALL RIGHTS RESERVED. AMP PRODUCTS COVERED BY PATENTS AND/OR PATENTS PENDING. APPROVED PER GOVT CONTRACT NO.

PART NUMBER 66205



±.008  
.061 TAPER PER INCH  
ON DIA.

.031 DIA. REF.  
ONE SIDE ONLY

±.0015  
.0560 DIA.

C DIA.  
MAX.

A DIA.

B DIA.  
MAX.

E DIA.  
MAX.

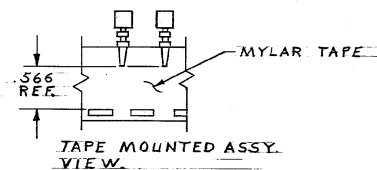
.025

±.010

2.90 ±.010

6.80 ±.010

COLOR CODE  
SEE TABLE



TAPE NO.	PART NO.	A	B	C	E	FINISH	WIRE SIZE	INS. RANGE	INS. COLOR
△ 66211-4	△ 66211-3	.134	.110	.068		BRIGHT TIN-LEAD	18 TO 16	.102 MAX.	BLUE
△ 66210-6	△ 66210-4	.105	.091	.050		BRIGHT TIN-LEAD		.070	
	△ 66210-3				.100	SILVER		.083	
	△ 66210-2					GOLD			
	△ 66209-4	.105	.082	.050		BRIGHT TIN-LEAD	24 TO 20	.055	YELLOW
	△ 66209-3				.100	SILVER		.070	
	△ 66209-2					GOLD			
	△ 66208-4	.105	.068	.050		BRIGHT TIN-LEAD		.040	
	△ 66208-3				.100	SILVER		.058	
	△ 66208-2					GOLD			
	△ 66207-4	.105	.086	.036		BRIGHT TIN-LEAD		.060	
	△ 66207-3				.100	SILVER		.078	
	△ 66207-2					GOLD			
	△ 66206-4	.105	.070	.036		BRIGHT TIN-LEAD	28 TO 24	.045	RED
	△ 66206-3				.100	SILVER		.062	
	△ 66206-2					GOLD			
	△ 66205-4	.105	.056	.036		BRIGHT TIN-LEAD		.031	
	△ 66205-3				.100	SILVER		.048	
	△ 66205-2					GOLD			

- △ BRIGHT TIN-LEAD .0001 THICK
- △ SILVER: .0002 THICK
- △ GOLD: .000030 GOLD OVER .000050 NICKEL
- △ OBSOLETE PART NUMBER.
- △ SUPSD & REDRAWN; SEE DWG 66208
- △ SUPSD & REDRAWN; SEE DWG 66211

SYM	ZONE	DESCRIPTION	DATE	APPROVAL
A	11	REVISED U-625	2-3-68	MS
B	#	REVISED V-636	11-16-68	MS
B1		REVISED 2070 2055	7-16-68	MS
C		LOC. 5 WAS AB, DIST. 12 WAS 39	ECN 9347	11-8-72 DS
D		ADDED 66211-6 TAPE MOUNTED	ECN 7420	4-10-73 SW
E		BRIGHT TIN .0001 WAS TIN .0002	EA 970	12-27-73 SW
F		BRIGHT TIN-LEAD WAS BRIGHT TIN	EA 1818	6-18-81 DS
G		OBSOLETE 66205-3	ECN 52426	5-14-84 DS
H		OBSOLETE VARIOUS AMK	ECN 53379	11-29-86 AS
J		OBS 66211-4	ECN 53733	4-14-87 AS
K		OBS 66208-2 PER ECN DROSET	ECN 53940	4-28-87 AS
L		OBS 66209-4, 66210-2	ECN DF-0521	TV 9-24-88 AS
M		SUPSD 66208 & 66211		CT 1-17-89 AS

AMP INFO	QTY REQD	NOMENCLATURE OR DESCRIPTION	PART OR IDENTIFYING NO
3		LEADED COPPER	
LIST OF MATERIALS OR PARTS LIST			
OTHER DIMENSIONS SPECIFIED		SIGNATURE	DATE
DIMENSIONS ARE IN INCHES		<i>M. Smith</i>	4-18-63
FRACTIONS	DECIMALS	OR	
2/16	0.125	<i>J. Kamin</i>	4-18-63
MATERIAL		DATE	
LEADED COPPER		4/18/63	
HEAT TREAT			
—			
FINISH		CODE IDENT NO	SIZE NUMBER
SEE TABLE		00779	C 66205
SCALE 10-1			

CUSTOMER DRAWING