

4
DRAWING MADE IN THIRD ANGLE PROJECTION

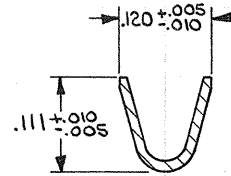
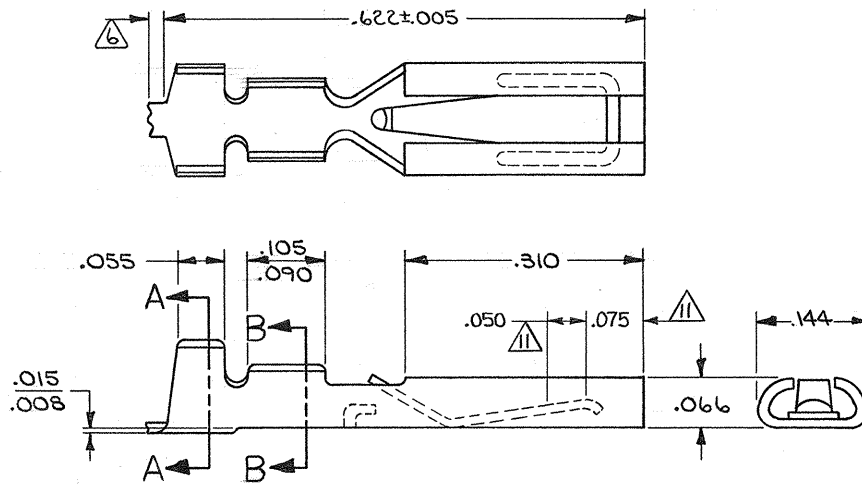
3

2

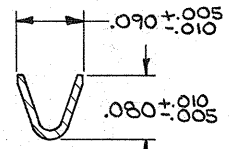
1 L¹ DF H¹ O

© COPYRIGHT 1981 BY AMP INCORPORATED, HARRISBURG, PA.
ALL INTERNATIONAL RIGHTS RESERVED. AMP INCORPORATED PRODUCTS
COVERED BY U. S. AND FOREIGN PATENTS AND/OR PATENTS PENDING.

REVISIONS						
P	F	ZONE	LTR	DESCRIPTION	DATE	APPROVED
		O		REVISED PER 8079 P	8/10/82	EAM
		P		OBS-2; 5-7 ECHDF 0949	11-88	JW
		R		REVISED PER OH14-0139-05	1-06	PY RG



SECT A-A



SECT B-B

- 1 MAT'L: PHOS. BRONZE
- 2 .000015 GOLD OVER .000030 NICKEL IN CONTACT AREA.
- 3 .000030 GOLD OVER .000030 NICKEL IN CONTACT AREA.
- 4 .000050 GOLD OVER .000030 NICKEL IN CONTACT AREA.
- 5 .000100 TIN-LEAD OVER .000030 NICKEL ON WIRE BARREL.
- 6 CUT-OFF TAB FOR LOOSE PIECE PARTS IS .005-.020.
- 7 INSUL. RANGE: .040 -.080 DIA.
- 8 WIRE RANGE: #24 THRU #20.
- 9. FOR CRIMPING INFORMATION SEE SPEC. #108-9201.
- 10. FOR SUPPLEMENTAL SPECIFICATIONS SEE #108-9004.
- 11 THE GOLD COVERED AREA WILL BE THE .125 BAND, THE GOLD THICKNESS IS TO BE MEASURED IN THE .050 WIDE BAND.
- 12 OBSOLETE PART NO.
- 13 .000100 TIN OVER .000030 NICKEL IN WIRE BARREL

5-531586-6	8	7	3	3	5-531586-3
531586-7	8	7	4	5	531586-4
531586-6	8	7	3	5	531586-3
531586-5	8	7	12	2	531586-2

	L.P. P/N	WIRE RANGE	INSULATION RANGE	FINISH	PART NO
UNLESS OTHERWISE SPECIFIED DIMENSIONS ARE IN INCHES. TOLERANCES ON DECIMALS ± .010	CONTRACT NO	AMP INCORPORATED Harrisburg, Pa.			
MATERIAL	DR <i>D. Evans</i> 3-2-81	NAME AMP BLADE II RECEPTACLE CONTACT			
FINISH	CHK <i>J. Kelly</i> 3-3-81	SIZE B	CODE IDENT NO 00779	DRAWING NO 531586	
	APPD <i>W. Johnson</i> 3-4-81	SCALE 8-1	SHEET OF 1		
	APPD <i>W. Johnson</i> 3-5-81	OTHER APPD			

CUSTOMER DRAWING