

4

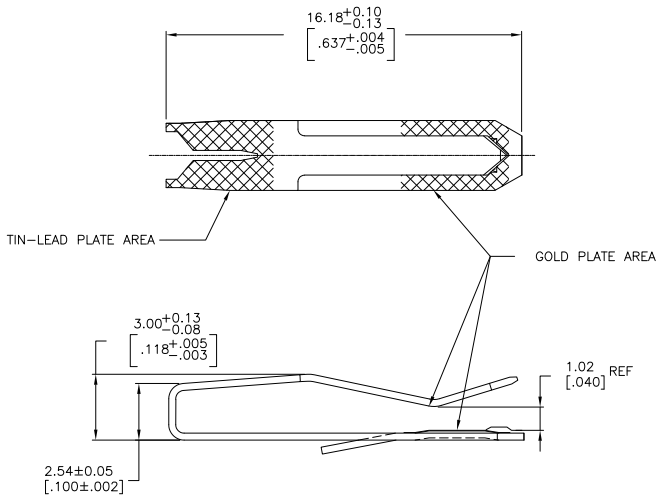
3

2

1

THIS DRAWING IS UNPUBLISHED. RELEASED FOR PUBLICATION. BY TYCO ELECTRONICS CORPORATION. ALL RIGHTS RESERVED.

LOC	DIST	REVISIONS		
F	LNK	DESCRIPTION	DATE	BY
C		ECO-08-001868	28JAN08	KW DB
C1		REVISED PER ECO-09-023313	13OCT09	KK AEG



- DIMENSIONS IN BRACKETS ARE IN INCHES.
- 0.00038 [0.00015] MIN THICK GOLD IN THE GOLD PLATE AREA OVER 0.00127 [0.00050] MIN THICK NICKEL.
- 0.00076 [0.00030] MIN THICK GOLD IN THE GOLD PLATE AREA OVER 0.00127 [0.00050] MIN THICK NICKEL.
- 0.00203 [0.00080] MIN THICK TIN-LEAD IN THE TIN-LEAD PLATE AREA OVER 0.00127 [0.00050] MIN THICK NICKEL.
- MATTE TIN 0.00203(.00080) MIN THICK IN TIN PLATED AREA.
- OBsolete PARTS: OBSOLETE CIS STREAMLINING PER D.RENAUD/D.SINISI

SUPERSEDED	3/5	641145-4
	2/5	641145-3
	3/4	641145-2
	2/4	641145-1
	FINISH	PART NO



THIS DRAWING IS A CONTROLLED DOCUMENT.		DRW 220C12005	Tyco Electronics Corporation Harrisburg, PA 17105-3608	
DIMENSIONS: mm [INCHES]		ISSY 220C12005	CONTACT, GOLD STRIPE, 22 AWG WIRE, LOOSE PIECE, MTA 156	
TOLERANCES UNLESS OTHERWISE SPECIFIED:		CHK D 220C12005	RESTRICTED TO	
0 PLG ± -		D_BOSS1 220C12005	A2 00779 C=641145	
1 PLG ± -		APPC PRODUCT SPEC	SCALE 8:1 SHEET 1 of 1 REV C1	
2 PLG ± -		APPLICATION SPEC		
3 PLG ± 0.1%(.001)		WEIGHT		
4 PLG ± -		FINISH		
ANGLES ± -		SEE TABLE		
MATERIAL 0.30(.012) THK COPPER ALLOY		CUSTOMER DRAWING		

AMP 1471-9 REV 31MAR2000

641145

A