

THIS DRAWING IS UNPUBLISHED.

RELEASED FOR PUBLICATION .19

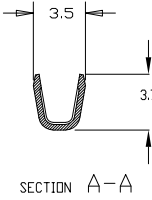
LOC ES DIST 00

REVISIONS

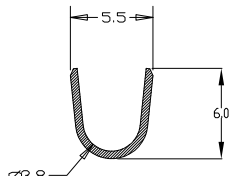
© COPYRIGHT 19

BY AMP INCORPORATED. ALL RIGHTS RESERVED.

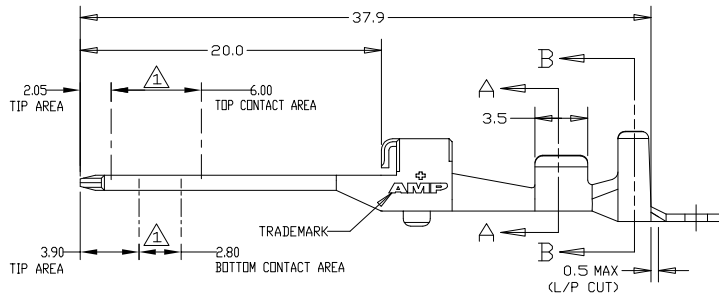
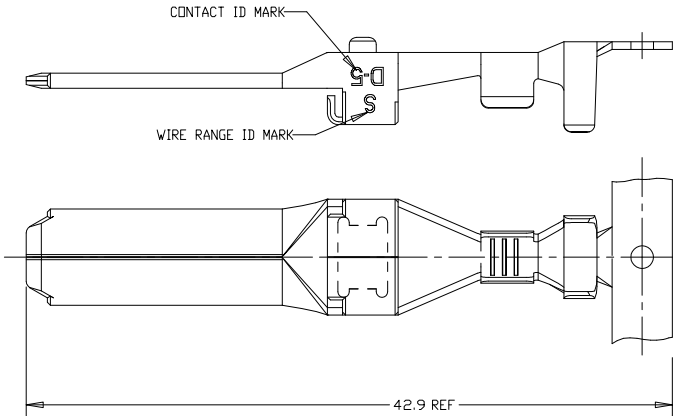
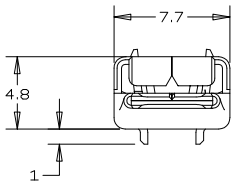
P	LTR	DESCRIPTION	DATE	DWN	APVD
B		REVISED FP00-0291-04	13DEC04	C.W	I.E



SECTION A-A



SECTION B-B



	84696-1
FINISH	PART NO.

WIRE RANGE	INSULATION DIA
123/2.27mm <sup>2</sup> AWG #16/#14	3/3.8mm $\varnothing$

NOTES:

FINISH : 0.2um MIN GOLD PLATING (CONTACT AREA) OVER NI UNDER PLATING ALL OVER EXCEPT INSIDE OF CONTACT BOX GOLD PLATING THK DID NOT CONTROL AT CONTACT TIP AREA

2. TOLERANCE UNLESS OTHERWISE SPECIFIED  
 \* <math>\varnothing 10</math> :  $\pm 0.3$   
 10< \* <math>\varnothing 30</math> :  $\pm 0.35$   
 30< \* <math>\varnothing 100</math> :  $\pm 0.4$   
 ANGLE :  $\pm 3^\circ$

THIS DRAWING IS A CONTROLLED DOCUMENT FOR AMP INCORPORATED. IT IS SUBJECT TO CHANGE AND THE CONTROLLING ENGINEERING ORGANIZATION SHOULD BE CONTACTED FOR THE LATEST REVISION.

DIMENSIONS: MM	TOLERANCES UNLESS OTHERWISE SPECIFIED
	0 PLC $\pm 0.30$ 1 PLC $\pm 0.35$ 2 PLC $\pm 0.40$ 3 PLC $\pm 0.40$ 4 PLC $\pm 0.40$ ANGLES $\pm 3^\circ$
MATERIAL (COPPER ALLOY)	FINISH SEE TABLE

DWN	3JAN'00
LWY LEE	
CHK	3JAN'00
LP TAN	
APVD	31MAY'01
WL CHOO	
PRODUCT SPEC	108-51030
APPLICATION SPEC	114-51009
WEIGHT	1.93g
CUSTOMER DRAWING	

<b>AMP</b>		AMP MANUFACTURING (SINGAPORE) PTE. LTD.	
TAB CONTACT "S" SIZE (DYNAMIC D-5000 SERIES)			
SIZE	CAGE CODE	DRAWING NO	
A3	00779	©84696	
SCALE	SHEET	OF	REV
4:1	1	1	B