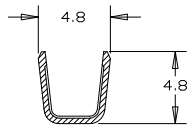
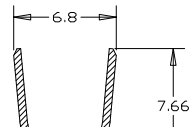


THIS DRAWING IS UNPUBLISHED. RELEASED FOR PUBLICATION .19
 © COPYRIGHT 19 BY AMP INCORPORATED. ALL RIGHTS RESERVED.

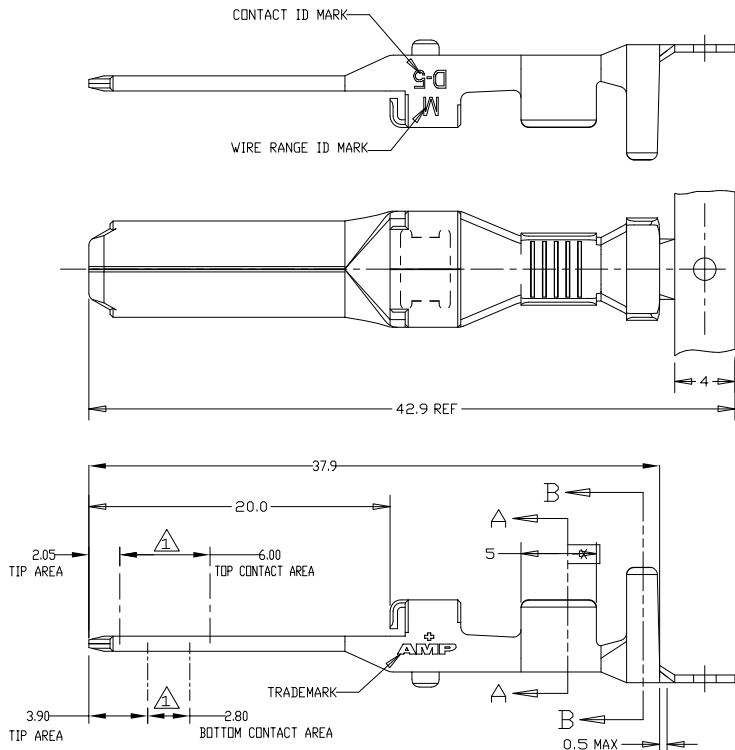
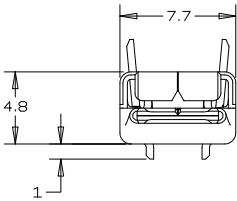
LOC		DIST		REVISIONS			
P	LTR	DESCRIPTION	DATE	BY	APVD		
	B	RELEASED FB00-00291-04	13DEC04	C.W	I.E		



SECTION A-A



SECTION B-B



	84695-1
FINISH	PART NO.

WIRE RANGE	INSULATION DIA
3.08/5.5mm ² AWG #12/#10	4/5.2mm ϕ

- NOTES:
- FINISH : 0.2 μ m MIN GOLD (CONTACT AREA) PLATING OVER Ni UNDER PLATING ALL OVER EXCEPT INSIDE OF CONTACT BOX GOLD PLATING THK DID NOT CONTROL AT CONTACT TIP AREA
 - 2. TOLERANCES UNLESS OTHERWISE SPECIFIED
 - * ≤ 10 : ± 0.3
 - 10 < * ≤ 30 : ± 0.35
 - 30 < * ≤ 100 : ± 0.4
 - ANGLE: $\pm 3^\circ$

<small>THIS DRAWING IS A CONTROLLED DOCUMENT FOR AMP INCORPORATED. IT IS SUBJECT TO CHANGE AND THE CONTROLLING ENGINEERING ORGANIZATION SHOULD BE CONTACTED FOR THE LATEST REVISION.</small>		DWN	3JAN'00	AMP MANUFACTURING (SINGAPORE) PTE. LTD.
<small>DIMENSIONS: (MM)</small>		WY LEE	3JAN'00	
<small>TOLERANCES UNLESS OTHERWISE SPECIFIED</small>		CHK	L.P TAN	
		APVD	W. CHOO	
<small>MATERIAL</small> COPPER ALLOY		<small>PRODUCT SPEC</small> 108-51030		<small>NAME</small> TAB CONTACT "M" SIZE (DYNAMIC D-5000 SERIES)
<small>FINISH</small> SEE TABLE		<small>APPLICATION SPEC</small> 114-51009		
<small>WEIGHT</small> 2.08g		SIZE	A3	<small>CAGE CODE</small> 00779
<small>CUSTOMER DRAWING</small>		<small>DRAWING NO</small> ©=84695		<small>SCALE</small> 4:1
		<small>SHEET</small> 1 OF 1		<small>REV</small> B