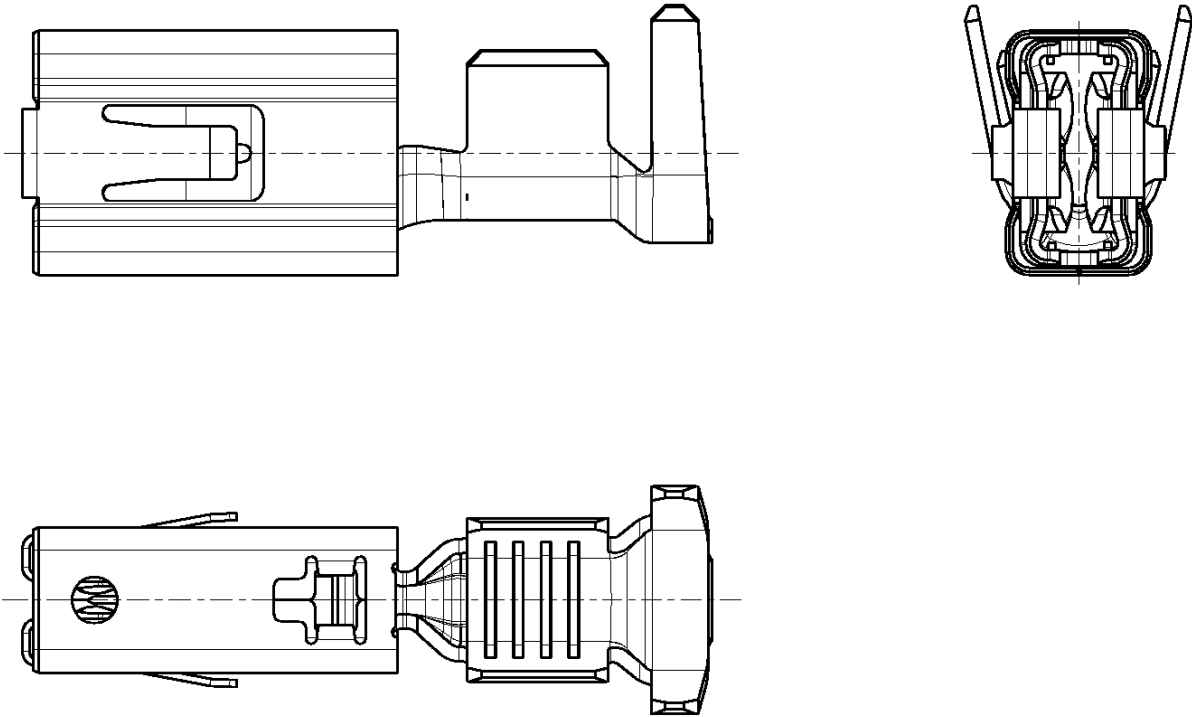


LOC	DIST	REVISIONS				
P	LTR	DESCRIPTION	DATE	DWN	APVD	
A	-	A	NEW DRAWING	03DEC2001	R.M.	-



REFER TO PRODUCT GROUP DRAWING 1241438  
FOR LATEST INFORMATION ON THE PART


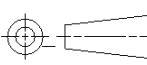
Für aktuelle Information zum Teil wird auf die  
Produkt - Gruppenzeichnung 1241438 hingewiesen

2001

RELEASED FOR PUBLICATION

THIS DRAWING IS UNPUBLISHED.

© COPYRIGHT 2001 BY TYCO ELECTRONICS CORPORATION. ALL RIGHTS RESERVED.

DIMENSIONS: mm		DWN R. Meier	03DEC2001	MATERIAL -	FINISH -
TOLERANCES UNLESS OTHERWISE SPECIFIED:		CHK R. Schäfer	03DEC2001	 tyco Electronics AMP GmbH D - 64625 Bensheim	
0 PLC	±	APVD -	-		
1 PLC	±	PRODUCT SPEC -	-	NAME AMP MCP6.3K/4.8K FLATCONTACT AMP MCP6.3K/4.8K Flachkontakt	
2 PLC	±	APPLICATION SPEC -	-	SIZE A 4	CAGE CODE 00779
3 PLC	±	WEIGHT -	-	DRAWING NO C=1241407	RESTRICTED TO -
4 PLC	±	CUSTOMER DRAWING			
ANGLES	±	SCALE 5:1			
		SHEET 1 OF 1			
		REV A			

AMP 1469-35 REV 31MAR2000