

4

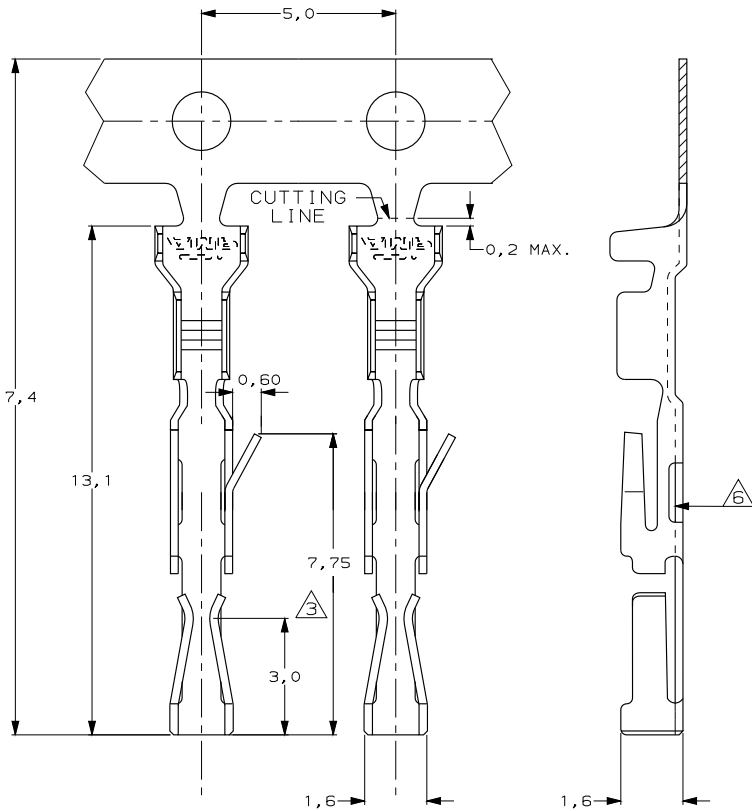
3

2

1

THIS DRAWING IS UNPUBLISHED.
 DIFFUSION RESEINTE AMP
 © COPYRIGHT BY TYCO ELECTRONICS CORP. ALL RIGHTS RESERVED.
 TOUS DROITS RESERVES

LOC		DIST		REVISIONS			
P	LTR	REV	DESCRIPTION	DATE	DWN	APVD	APP.
		E	REVISED	22-NOV-04	JD	-	-
		F	UPDATED FINISH	29-MAR-06	JJD	YP	-



NOTES:

- △ CONTACT MATERIAL: PHOSPHORBRONZE
- △ PLATING: UNDERCOATING 1,3 μm Ni OVERALL
AT CONTACTPLACE 0,8μm Au
AT CRIMPBARRELS 2,5μm Sn
- △ CONTACT POINT
- △ BOTTOM OF CONTACT TO BE STRAIGHT
AFTER CRIMPING OF WIRE
- 5 WIRE RANGE: 0,08-0,22mm²
INSULATION RANGE: 0,80-1,50 DIA.
- △ OPTIONAL
- 7 THE CONTACT MEETS THE REQUIREMENT OF
INTERNATIONAL STANDARD IEC 603-8

LOOSE PIECE	△	△	182734-3
STRIP	△	△	188746-1
CONFIGURATION	FINISH	MATERIAL	PARTNUMBER
THIS DRAWING IS A CONTROLLED DOCUMENT. CE PLAN EST UN DOCUMENT CONTROLE.		TYCO ELECTRONICS FRANCE SAS BP 39, 95301 CERGY-PONTOISE CEDEX	
DIMENSIONS: mm	TOLERANCES UNLESS OTHERWISE SPECIFIED (SUJ V. NB DE DECIMALES): 1: ±0,3 2: ±0,2 3: ±0,1 4: ±0,05	NAME/TITRE Y PETRONIN HE 1302 CONNECTOR (GOLD VERSION) CRIMP CONTACT (AWG 28-24)	RESTRICTED TO
MATERIAL MATIERE	FINISH FINITION	SIZE FORMAT A3	CAGE CODE 00779
		DRAWING NO/TITRE C=188746	SCALE/ECHELLE: 1
		UNIQUEMENT POUR REFERENCE	SHEET 1 OF 1 / FEUILLE 1 DE 1
		CUSTOMER DRAWING/PLAN CLIENT	REV F

AMP 1470-19 REV 01-2001 (FR)

29-MAR-06 17:42:59 er001953 /home/dept1302/er001953/edmod