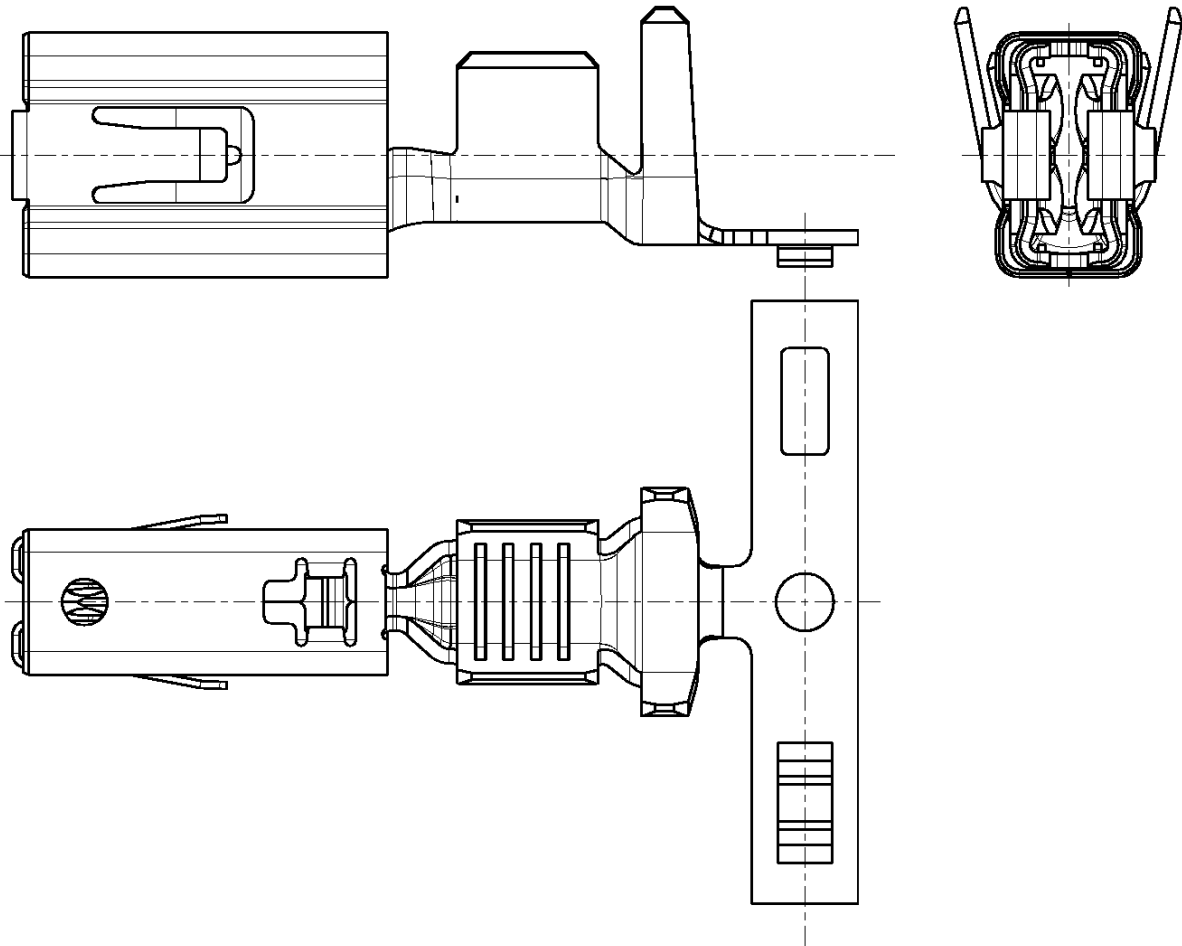


LOC	DIST	REVISIONS				
P	LTR	DESCRIPTION	DATE	DWN	APVD	
A	-	A	NEW DRAWING	03DEC2001	R.M.	-



REFER TO PRODUCT GROUP DRAWING 1241438
FOR LATEST INFORMATION ON THE PART


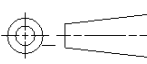
Für aktuelle Information zum Teil wird auf die
Produkt - Gruppenzeichnung 1241438 hingewiesen

2001

RELEASED FOR PUBLICATION

THIS DRAWING IS UNPUBLISHED.

BY TYCO ELECTRONICS CORPORATION. ALL RIGHTS RESERVED.
© COPYRIGHT 2001

DIMENSIONS:		DWN	03DEC2001	MATERIAL	-	FINISH	-
mm		CHK	03DEC2001	 tyco Electronics AMP GmbH D - 64625 Bensheim			
TOLERANCES UNLESS OTHERWISE SPECIFIED:		APVD	-				
0 PLC	±	PRODUCT SPEC	-	NAME			
1 PLC	±	APPLICATION SPEC	-	AMP MCP6.3K/4.8K FLATCONTACT AMP MCP6.3K/4.8K Flachkontakt			
2 PLC	±	WEIGHT	-	SIZE	CAGE CODE	DRAWING NO	RESTRICTED TO
3 PLC	±		-	A 4	00779	©=1241406	-
4 PLC	±						
ANGLES	±	CUSTOMER DRAWING		SCALE	5:1	SHEET	1 OF 1
						REV	A