

4

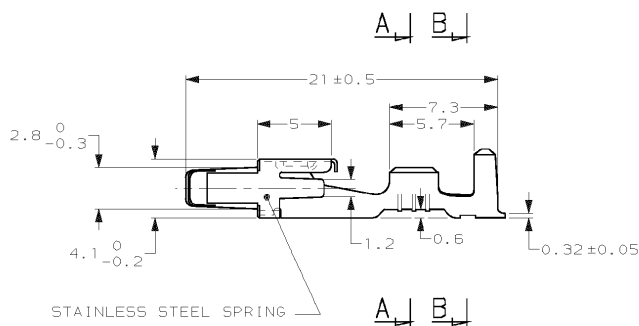
3

2

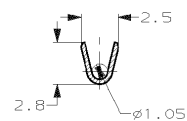
1

THIS DRAWING IS UNPUBLISHED.
 DIFFUSION EXCEPT BY AMP.
 © COPYRIGHT 19 BY AMP INCORPORATED. ALL RIGHTS RESERVED.
 TOUS DROITS RESERVES.

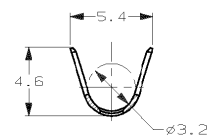
LOC	DIST	REVISIONS				
P	LTR	REV	DESCRIPTION	DATE	DWN	APPD
			MODIFICATIONS		DESS.	APP.
F	7	-	-	-	-	-



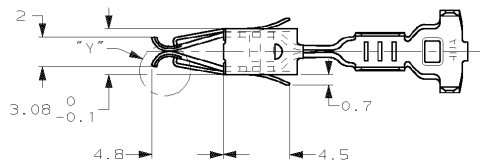
SECTION A-A



SECTION B-B



SCALE 10
"V"



REFERENCE	MATERIAL - MATIERE	PLATING - FINITION
185026-3	CuSn4	SELECTIVE GOLD PLATING 0.4µm min DORURE SELECTIVE 0.4µm min
185026-1	CuSn4	TIN PLATING 0.8 TO 3.3 µm ETAMAGE 0.8 A 3.3 µm

THIS DRAWING IS A CONTROLLED DOCUMENT. CE PLAN EST UN DOCUMENT CONTROLE		DWN/DESSINE J. LALANDE 18-JAN-99	AMP 18-JAN-99 95301 PONTOISE	
TOLERANCES UNLESS OTHERWISE SPECIFIED: TOLERANCES NON SPECIFIEES (SUIV. NR DE DECIMALES): 1. DIMENSIONS: ±0.3 2. RADIUS: ±0.3 3. HOLE/BORE: ±0.3 4. HOLE/BORE: ±0.3 ANGLES: ±5°		CHK/VERIFIE J. REVILL 20-JAN-99	APVD/APPROUVE 11-REVILL 20-JAN-99	NAME/TITRE JUNIOR POWER TIMER RECEPTACLE
MATERIAL/MATIERE SEE TABLE	FINISH/FINITION SEE TABLE	PRODUCT SPEC. SPEC. PRODUIT 108-1511B	APPLICATION SPEC. SPEC. APPLICATION 114-1507B	RESTRICTED TO -
WEIGHT/POIDS APPROX. 0.4g		SIZE/FORMAT A3	CAGE CODE 00779	DRAWING NO/TITRE C-185026
CUSTOMER DRAWING/PLAN CLIENT		UNTOILEMENT POUR REFERENCE	SCALE ECHELLE 4:1	SHEET OF FEUILLE 1 DE 1

AMP 1470-19 REV 27/JUN96
 19-JAN-99 09:36:52 jL2650 /home/dept11302/jL2650/ednread

Lead Free Conversion in Process - Refer to Specification 230-700 at www.tycoelectronics.com/leadfree