

4

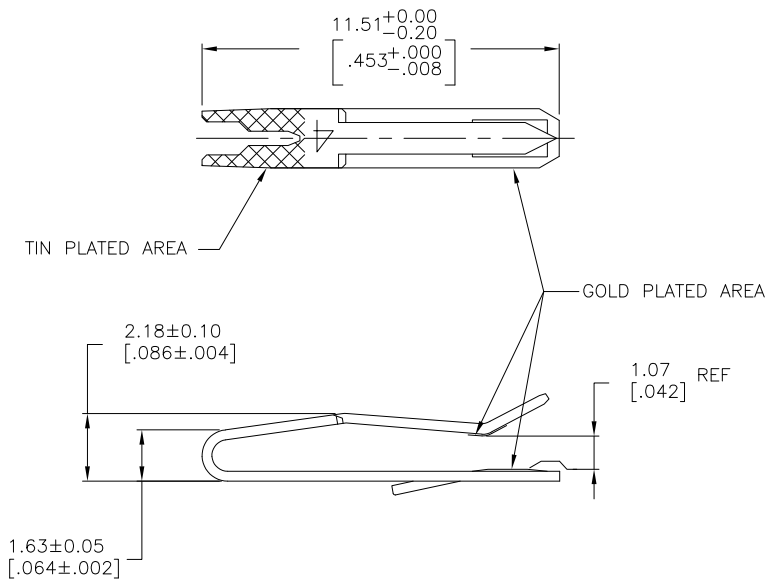
3

2

1

THIS DRAWING IS UNPUBLISHED. RELEASED FOR PUBLICATION
 © COPYRIGHT - BY TYCO ELECTRONICS CORPORATION. ALL RIGHTS RESERVED.

LOC	DIST	REVISIONS				
P	LTR	DESCRIPTION	DATE	DWN	APVD	
CM	00	F	REVISED PER ECO-07-007260	09APR07	KW DB	
		F1	REVISED PER ECO-09-024717	05NOV09	KK AEG	



- DIMENSIONS IN BRACKETS ARE IN INCHES.
- 0.00038 [.000015] MIN THICK GOLD IN THE GOLD PLATE AREA OVER 0.00127 [.000050] MIN THICK NICKEL.
- 0.00076 [.000030] MIN THICK GOLD IN THE GOLD PLATE AREA OVER 0.00127 [.000050] MIN THICK NICKEL.
- 0.00203 [.000080] MIN THICK TIN-LEAD IN THE TIN-LEAD PLATE AREA OVER 0.00127 [.000050] MIN THICK NICKEL.
- MATTE TIN 0.00203(.000080) MIN THICK IN TIN PLATED AREA
- OBsolete PARTS: OBsolete CIS STREAMLINING PER D.RENAUD/D.SINISI

	3/5	641187-4
	2/5	641187-3
SUPERCEDED	3/4	641187-2
6	2/4	641187-1
	FINISH	PART NO



THIS DRAWING IS A CONTROLLED DOCUMENT.		DWN	25OCT2005	Tyco Electronics	Tyco Electronics Corporation Harrisburg, PA 17105-3608	
DIMENSIONS: mm [INCHES]		CHK	25OCT2005		NAME	CONTACT, LOOSE PIECE, GOLD STRIP, 24 AWG WIRE, MTA-100
TOLERANCES UNLESS OTHERWISE SPECIFIED:		D. BOSSI		PRODUCT SPEC	-	
0 PLC ± -		APVD		APPLICATION SPEC	-	
1 PLC ± -		25OCT2005		WEIGHT	-	
2 PLC ± -		NAME		SIZE	CAGE CODE	DRAWING NO
3 PLC ± 0.13 [.005]		PRODUCT SPEC		A3	00779	C-641187
4 PLC ± -		APPLICATION SPEC		RESTRICTED TO	-	
ANGLES ± -		WEIGHT		CUSTOMER DRAWING		
FINISH		MATERIAL		SCALE	SHEET	REV
0.30 [.012] THK COPPER ALLOY		SEE TABLE		8:1	1 of 1	F1