
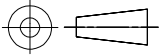


| LOC | DIST | REVISIONS |         |                           |         |           |           |
|-----|------|-----------|---------|---------------------------|---------|-----------|-----------|
| F   | 7    | P         | LTR REV | DESCRIPTION MODIFICATIONS | DATE    | DWN DESS. | APVD APP. |
|     |      |           | A1      | REVISED PER ECO-11-005150 | 21MAR11 | RK        | HMR       |

RELEASED FOR PUBLICATION  
LIBRE A LA DIFFUSION  
ALL RIGHTS RESERVED.  
TOUS DROITS RESERVES.

THIS DRAWING IS UNPUBLISHED.  
DIFFUSION RESTREINTE AMP  
© COPYRIGHT - By -

|                       |          |
|-----------------------|----------|
| SEE DRAWING<br>188744 | 182734-2 |
| SEE DRAWING<br>188746 | 182734-3 |
| NOTE                  | P/N      |

|   |  |  |  |                       |                               |           |
|---|--|--|--|-----------------------|-------------------------------|-----------|
| DIMENSIONS:<br>mm   |  | DWN /DESSINE<br>JJ DESPRETZ<br>22-NOV-04 | MATERIAL<br>MATIERE  | FINISH<br>FINITION    |                               |           |
| TOLERANCES UNLESS OTHERWISE SPECIFIED:<br>TOLERANCES NON SPECIFIEES<br>(SUIV NB DE DECIMALES):<br>0- PLC /DEC ± -<br>1- PLC /DEC ± -<br>2- PLC /DEC ± -<br>3- PLC /DEC ± -<br>4- PLC /DEC ± -<br>ANGLES ± - |  | CHK /VERIFIE<br>T CORRIOU                |  TE Connectivity |                       |                               |           |
|   |  | APVD /APPROUVE<br>Y PETRONIN             |  |                       |                               |           |
|   |  | PRODUCT SPEC<br>SPEC. PRODUIT            | NAME<br>TITRE  |                       |                               |           |
|   |  | APPLICATION SPEC<br>SPEC. APPLICATION    | HE14 SYSTEM RECEPTACLE<br>C.O.S.I CONTACT LOOSE PIECE VERSION  |                       |                               |           |
|    |  | SIZE<br>FORMAT                           | CAGE CODE  | DRAWING NO<br>No PLAN | RESTRICTED TO<br>RESERVE A    |           |
| WEIGHT<br>MASSE APPROX. -   |  | A4                                       | 00779  | G-182734              | -                             |           |
| CUSTOMER DRAWING/PLAN CLIENT  |  |  | UNIQUEMENT<br>POUR REFERENCE   | SCALE<br>ECHELLE 1:1  | SHEET<br>FEUILLE 1 OF<br>DE 1 | REV<br>A1 |